

PARTS LIST - 2 PERSON ASSEMBLY:-

A	PRE-ASSEMBLED TABLE TOP	1 no.
B	END A-FRAME	2 no.
C	MIDDLE A-FRAME	2 no.
D	PRE-ASSEMBLED SEAT	2 no.
E	70mm BRASS SCREWS	72 no.
F	70mm S/STEEL SCREWS	40 no.

TOOLS:-

POWER DRILL WITH PHILIPS-HEAD BIT

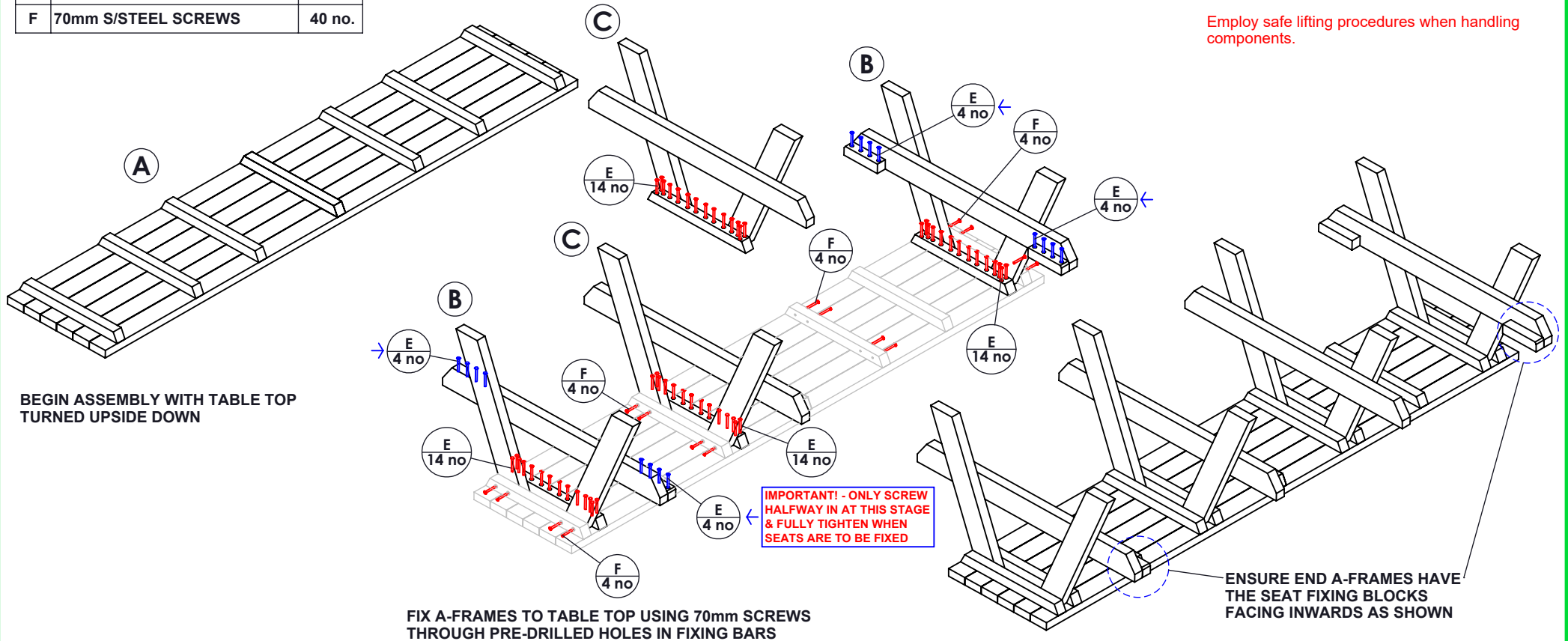
MEASURING TAPE & STRAIGHT EDGE

IMPORTANT:-

Ensure that you are familiar with these assembly instructions prior to commencing assembly.

We will not accept any claims resulting from products that have been incorrectly assembled.

Employ safe lifting procedures when handling components.



BEGIN ASSEMBLY WITH TABLE TOP TURNED UPSIDE DOWN

FIX A-FRAMES TO TABLE TOP USING 70mm SCREWS THROUGH PRE-DRILLED HOLES IN FIXING BARS

BEFORE FULLY TIGHTENING ALL SCREWS CHECK THAT THE PICNIC TABLE IS SQUARE BY MEASURING ACROSS THE DIAGONALS

NOTE:-

All NeoTimber® furniture needs to be assembled and positioned on even ground.

HELP AND SUPPORT:-

Please visit <https://neotimber.com/furniture/support/> if you need any assistance.

3M PICNIC TABLE: Assembly Guide - 1 of 2.

NeoTimber®
PLASTIC FURNITURE

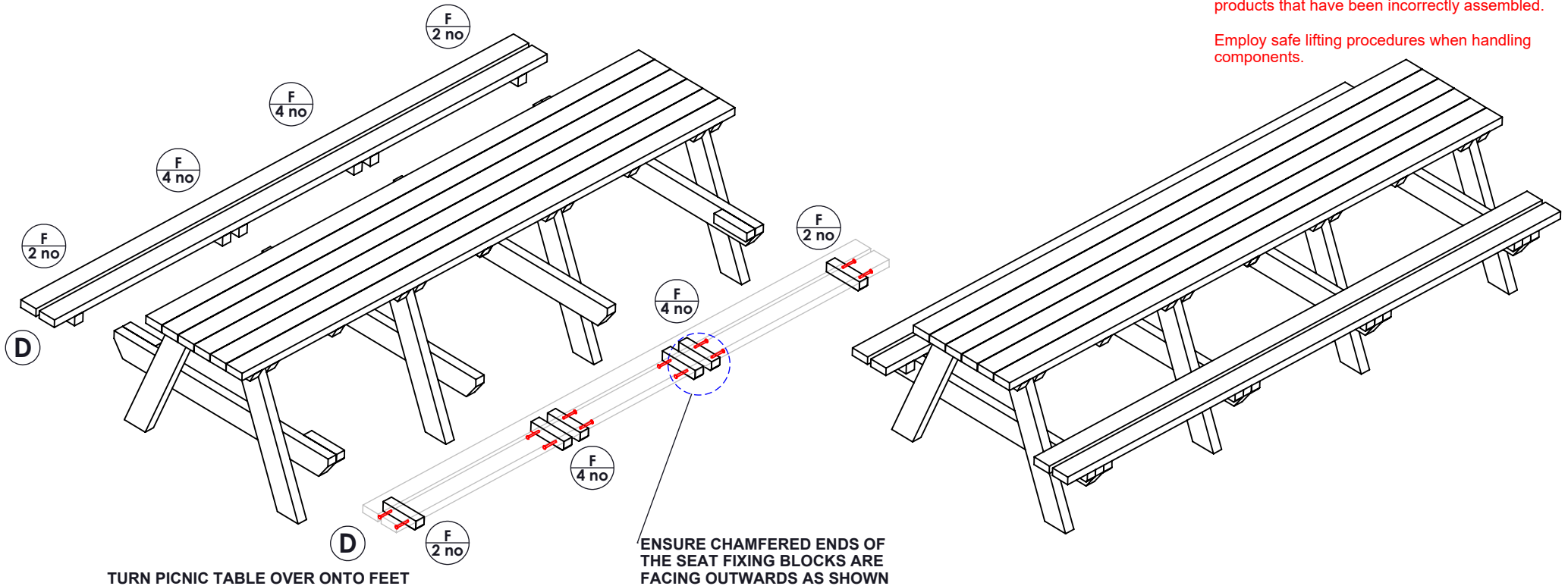
TOOLS:-
POWER DRILL WITH PHILIPS-HEAD BIT
MEASURING TAPE & STRAIGHT EDGE

IMPORTANT:-

Ensure that you are familiar with these assembly instructions prior to commencing assembly.

We will not accept any claims resulting from products that have been incorrectly assembled.

Employ safe lifting procedures when handling components.



TURN PICNIC TABLE OVER ONTO FEET & FIX PRE-ASSEMBLED SEATS USING 70mm SCREWS THROUGH PRE-DRILLED HOES IN SEAT FIXING BLOCKS

IMPORTANT - ENSURE THAT THE 16 no BRASS SEAT FIXING SCREWS ARE NOW FULLY TIGHTENED - THESE ARE SHOWN ON PAGE 1 OF 2

BEFORE FULLY TIGHTENING ALL SCREWS CHECK THAT THE SEATS ARE SQUARE

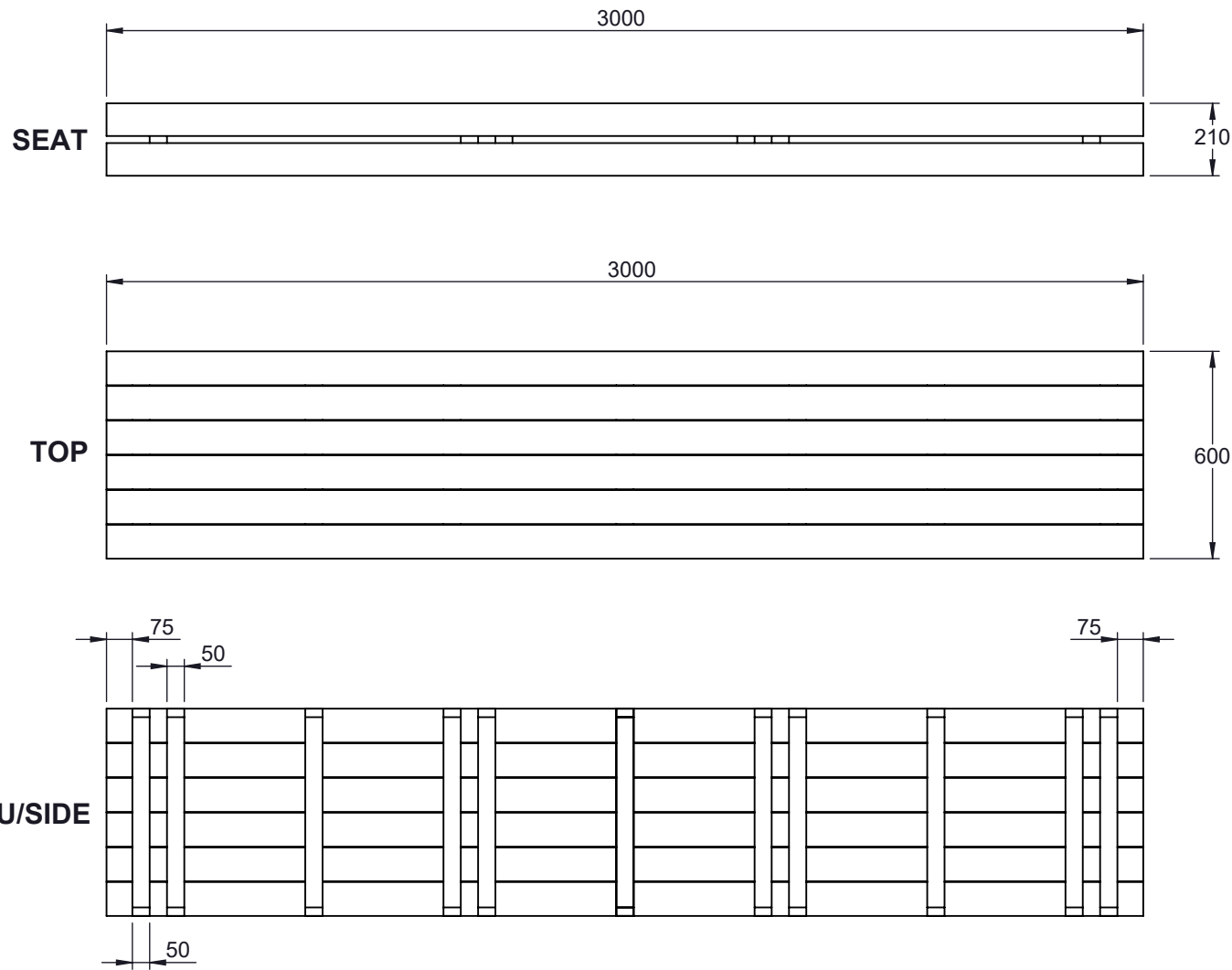
NOTE:-

All NeoTimber® furniture needs to be assembled and positioned on even ground.

HELP AND SUPPORT:-

Please visit <https://neotimber.com/furniture/support/> if you need any assistance.

**3M PICNIC TABLE:
 Assembly Guide - 2 of 2.**

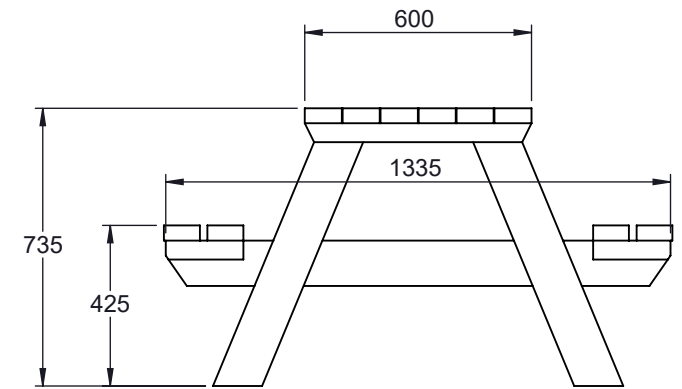


IMPORTANT:-

Ensure that you are familiar with these assembly instructions prior to commencing assembly.

We will not accept any claims resulting from products that have been incorrectly assembled.

Employ safe lifting procedures when handling components.



TYPICAL ELEVATION

NOTE:-

All NeoTimber® furniture needs to be assembled and positioned on even ground.

HELP AND SUPPORT:-

Please visit <https://neotimber.com/furniture/support/> if you need any assistance.

**3M PICNIC TABLE:
Key Dimensions.**