

PARTS LIST - 2 PERSON ASSEMBLY:-		
A	PRE-ASSEMBLED TABLE TOP	1 no.
B	END A-FRAME	2 no.
C	MIDDLE A-FRAME	1 no.
D	PRE-ASSEMBLED SEAT	2 no.
E	70mm BRASS SCREWS	52 no.
F	70mm S/STEEL SCREWS	28 no.

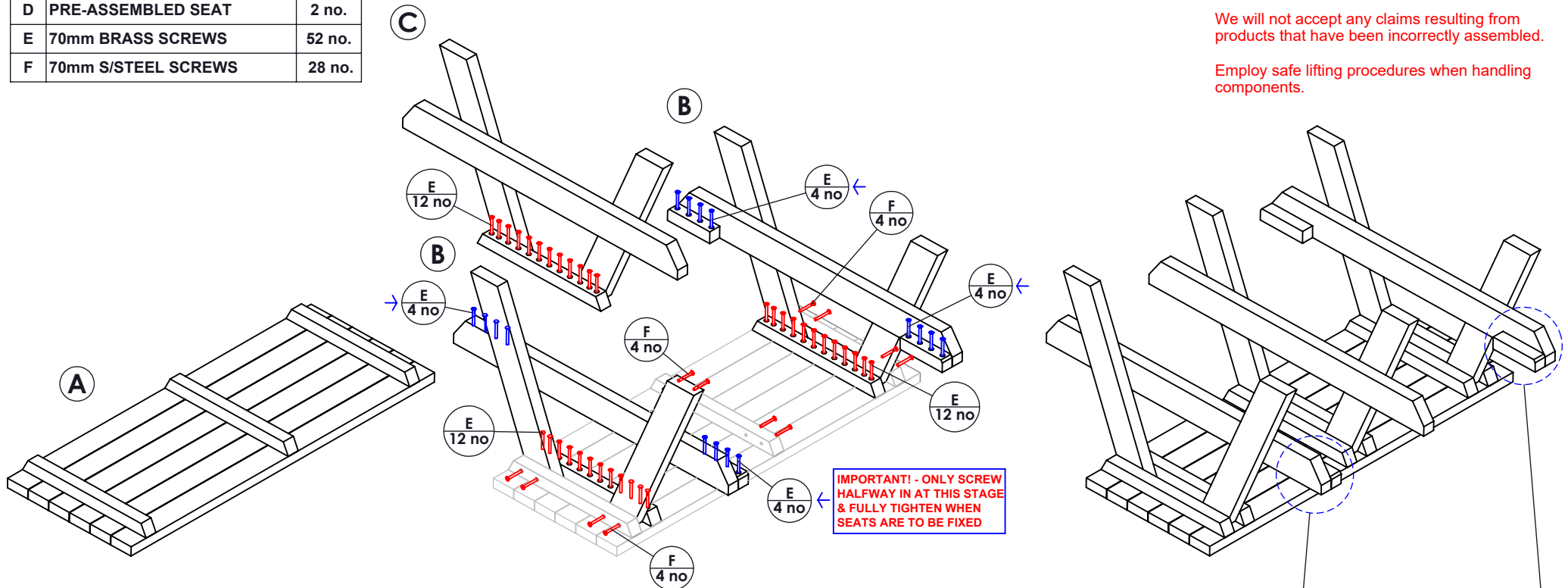
TOOLS:-	
POWER DRILL WITH PHILIPS-HEAD BIT	
MEASURING TAPE & STRAIGHT EDGE	

IMPORTANT:-

Ensure that you are familiar with these assembly instructions prior to commencing assembly.

We will not accept any claims resulting from products that have been incorrectly assembled.

Employ safe lifting procedures when handling components.



BEGIN ASSEMBLY WITH TABLE TOP TURNED UPSIDE DOWN

FIX A-FRAMES TO TABLE TOP USING 70mm SCREWS THROUGH PRE-DRILLED HOLES IN FIXING BARS

BEFORE FULLY TIGHTENING ALL SCREWS CHECK THAT THE PICNIC TABLE IS SQUARE BY MEASURING ACROSS THE DIAGONALS

ENSURE END A-FRAMES HAVE THE SEAT FIXING BLOCKS FACING INWARDS AS SHOWN

NOTE:-

All NeoTimber® furniture needs to be assembled and positioned on even ground.

HELP AND SUPPORT:-

Please visit <https://neotimber.com/furniture/support/> if you need any assistance.

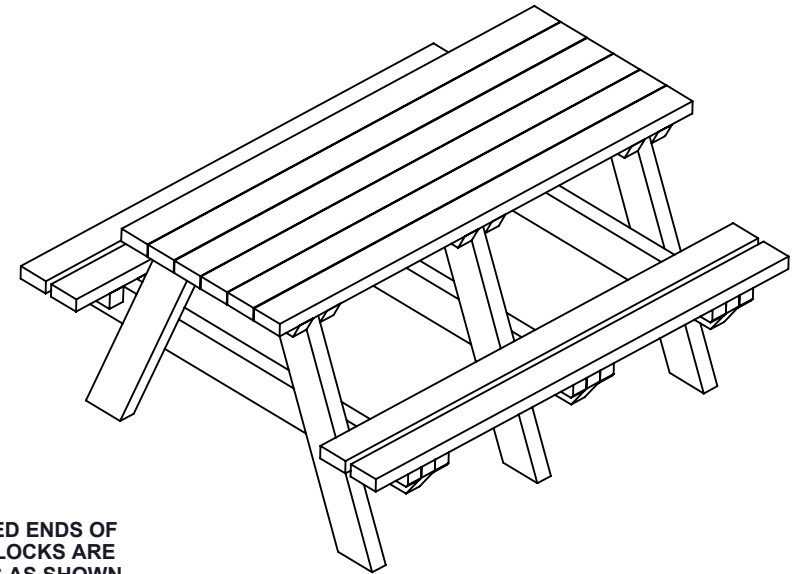
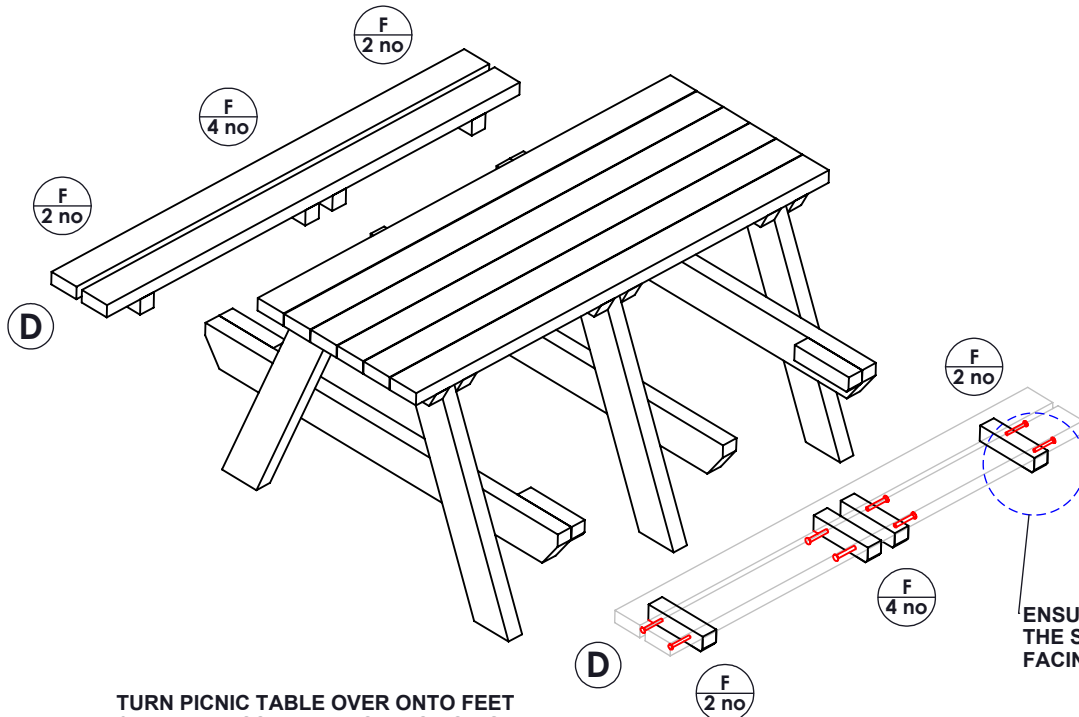
TOOLS:-
POWER DRILL WITH PHILIPS-HEAD BIT
MEASURING TAPE & STRAIGHT EDGE

IMPORTANT:-

Ensure that you are familiar with these assembly instructions prior to commencing assembly.

We will not accept any claims resulting from products that have been incorrectly assembled.

Employ safe lifting procedures when handling components.



TURN PICNIC TABLE OVER ONTO FEET
 & FIX PRE-ASSEMBLED SEATS USING 70mm
 SCREWS THROUGH PRE-DRILLED HOES
 IN SEAT FIXING BLOCKS

ENSURE CHAMFERED ENDS OF
 THE SEAT FIXING BLOCKS ARE
 FACING OUTWARDS AS SHOWN

BEFORE FULLY TIGHTENING ALL SCREWS
 CHECK THAT THE SEATS ARE SQUARE

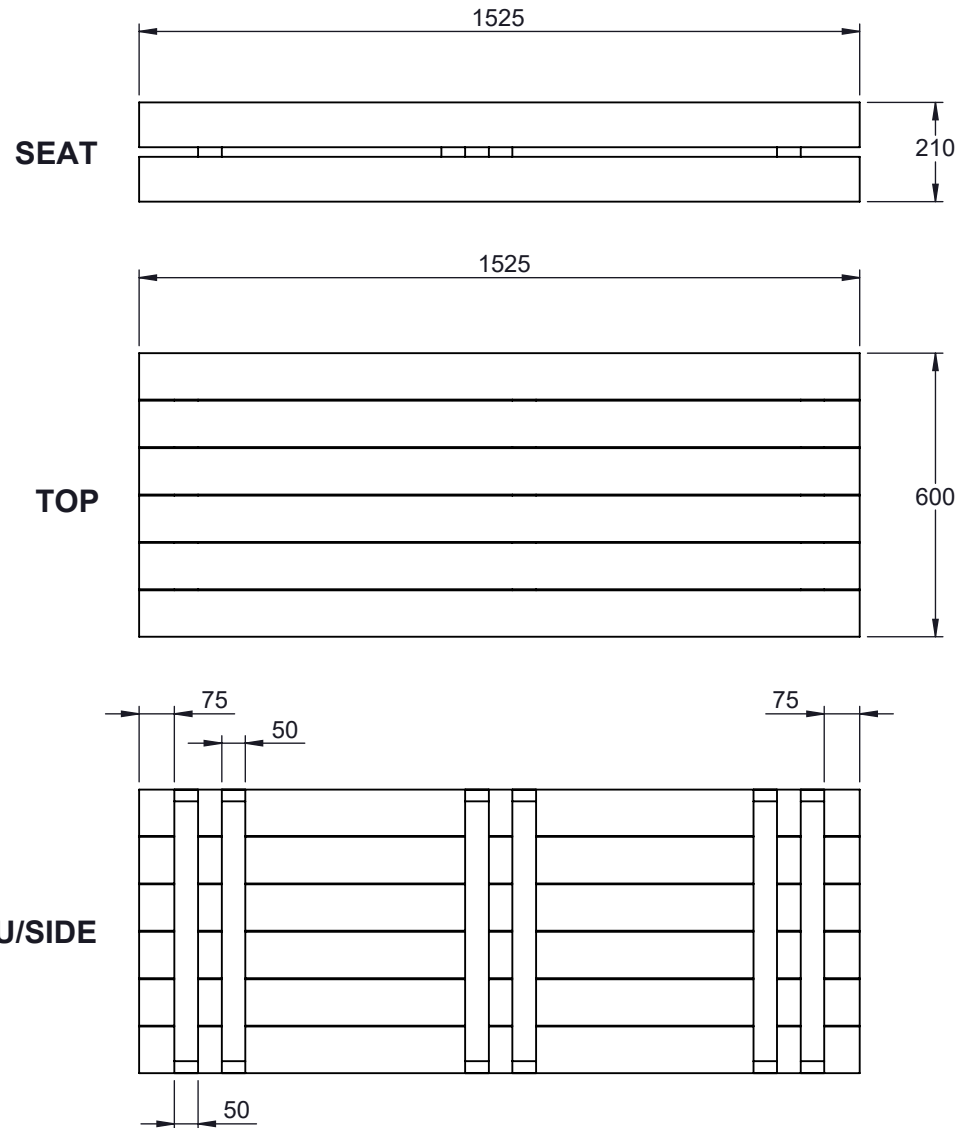
**IMPORTANT - ENSURE THAT THE 16 no BRASS SEAT
 FIXING SCREWS ARE NOW FULLY TIGHTENED - THESE
 ARE SHOWN ON PAGE 1 OF 2**

NOTE:-

All NeoTimber® furniture needs to be assembled and positioned on even ground.

HELP AND SUPPORT:-

Please visit <https://neotimber.com/furniture/support/> if you need any assistance.

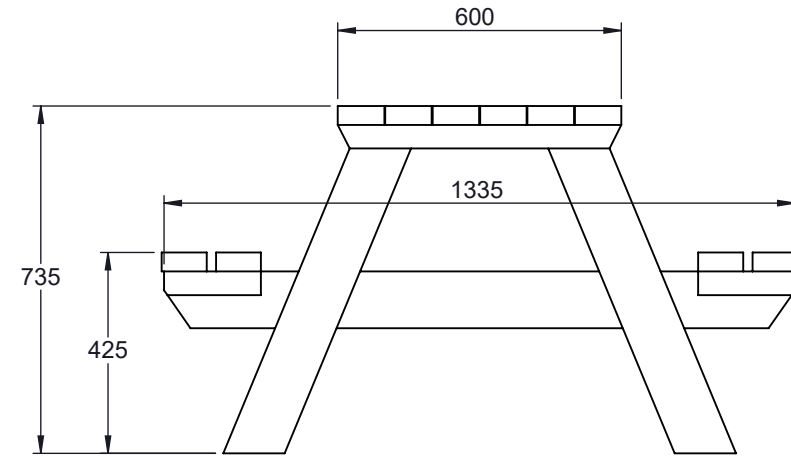


IMPORTANT:-

Ensure that you are familiar with these assembly instructions prior to commencing assembly.

We will not accept any claims resulting from products that have been incorrectly assembled.

Employ safe lifting procedures when handling components.



TYPICAL ELEVATION

NOTE:-

All NeoTimber® furniture needs to be assembled and positioned on even ground.

HELP AND SUPPORT:-

Please visit <https://neotimber.com/furniture/support/> if you need any assistance.

**A!: F5 A9 PICNIC TABLE:
Key Dimensions.**