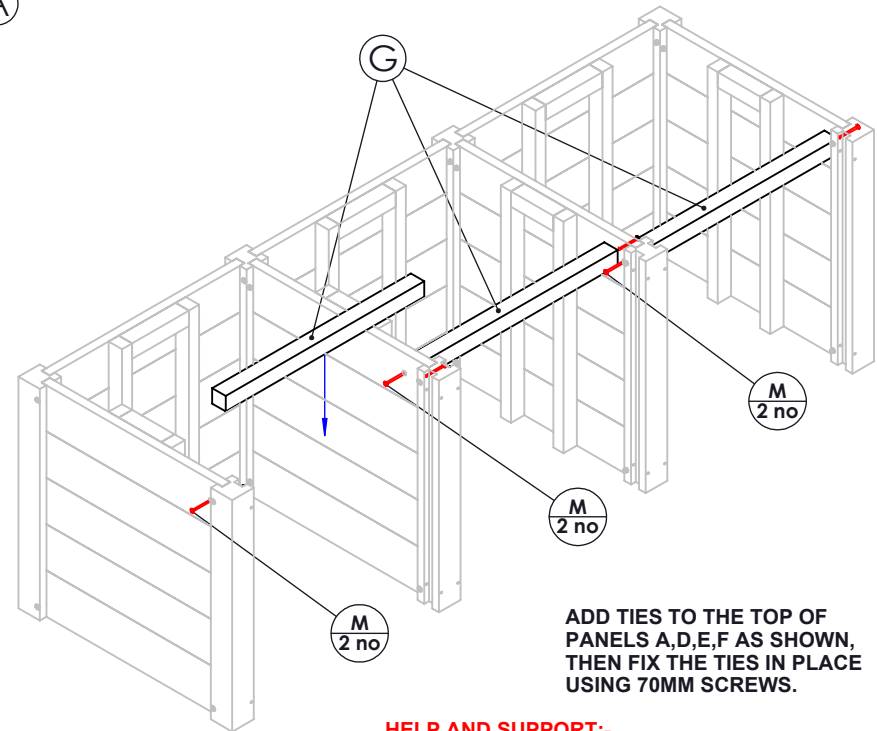
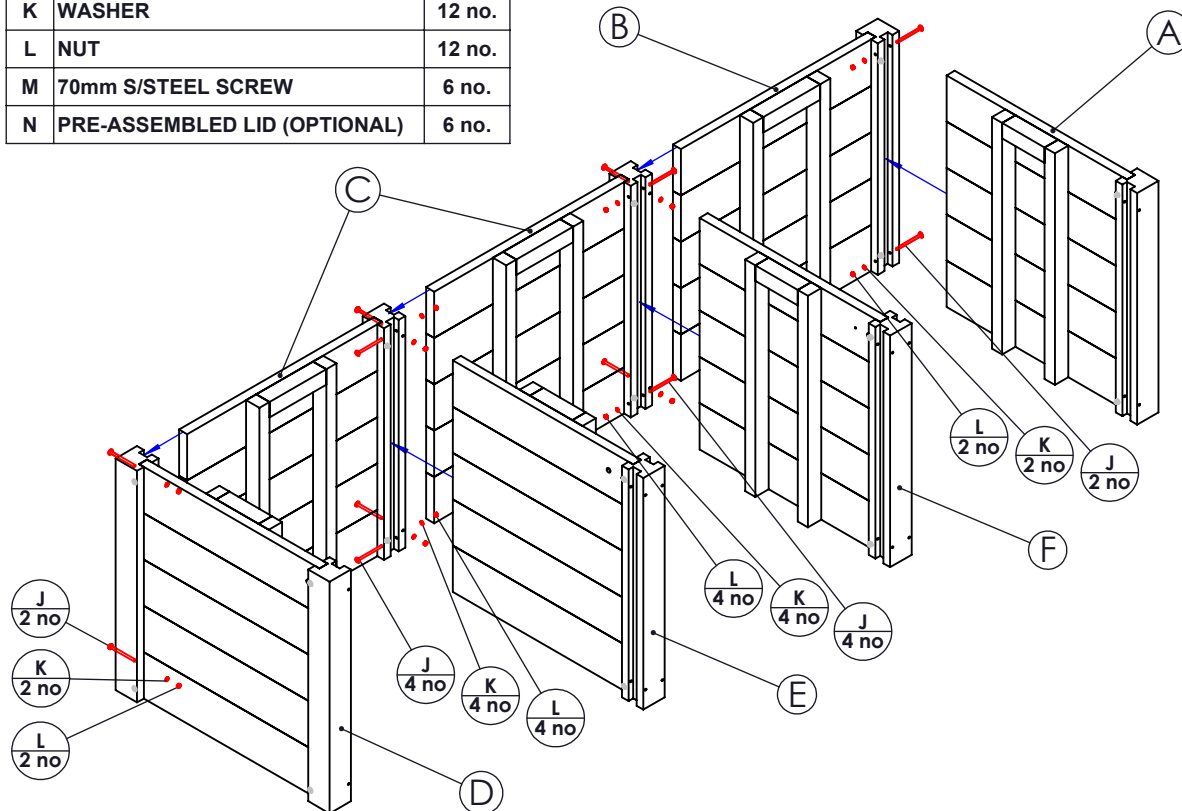


PARTS LIST - 2 PERSON ASSEMBLY:-		
A	PRE-ASSEMBLED RIGHT PANEL	1 no.
B	PRE-ASSEMBLED BACK PANEL 1	1 no.
C	PRE-ASSEMBLED BACK PANEL 2	2 no.
D	PRE-ASSEMBLED LEFT PANEL	1 no.
E	PRE-ASSEMBLED MIDDLE PANEL 1	1 no.
F	PRE-ASSEMBLED MIDDLE PANEL 2	1 no.
G	TOP TIE	3 no.
H	SLAT - REMOVABLE	15 no.
J	M6 x 90mm BOLT	12 no.
K	WASHER	12 no.
L	NUT	12 no.
M	70mm S/STEEL SCREW	6 no.
N	PRE-ASSEMBLED LID (OPTIONAL)	6 no.

TOOLS:-
POWER DRILL WITH PHILIPS-HEAD BIT
10mm SPANNER

START BY POSITIONING PRE-ASSEMBLED PANELS A,B,C(x2),D,E,F AS SHOWN. THEN SLOT THE END OF EACH PANEL INTO THE CHANNEL OF THE CORRESPONDING POST.

USING THE PROVIDED M6 x 90mm BOLT, FIX BOLT THROUGH PRE-DRILLED HOLES, ADD WASHER AND NUT AND TIGHTEN UP.



ADD TIES TO THE TOP OF PANELS A,D,E,F AS SHOWN, THEN FIX THE TIES IN PLACE USING 70MM SCREWS.

**IMPORTANT:-**

Ensure that you are familiar with these assembly instructions prior to commencing assembly.

We will not accept any claims resulting from products that have been incorrectly assembled.

Employ safe lifting procedures when handling components.

**HELP AND SUPPORT:-**

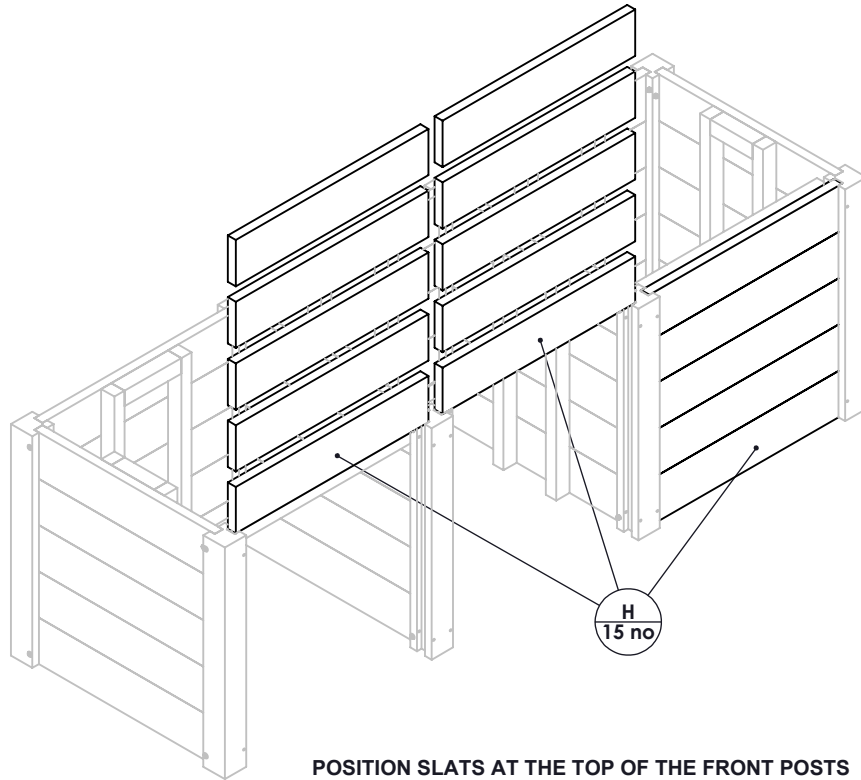
Please visit <https://neotimber.com/furniture/support/> if you need any assistance.

**IMPORTANT:-**

Ensure that you are familiar with these assembly instructions prior to commencing assembly.

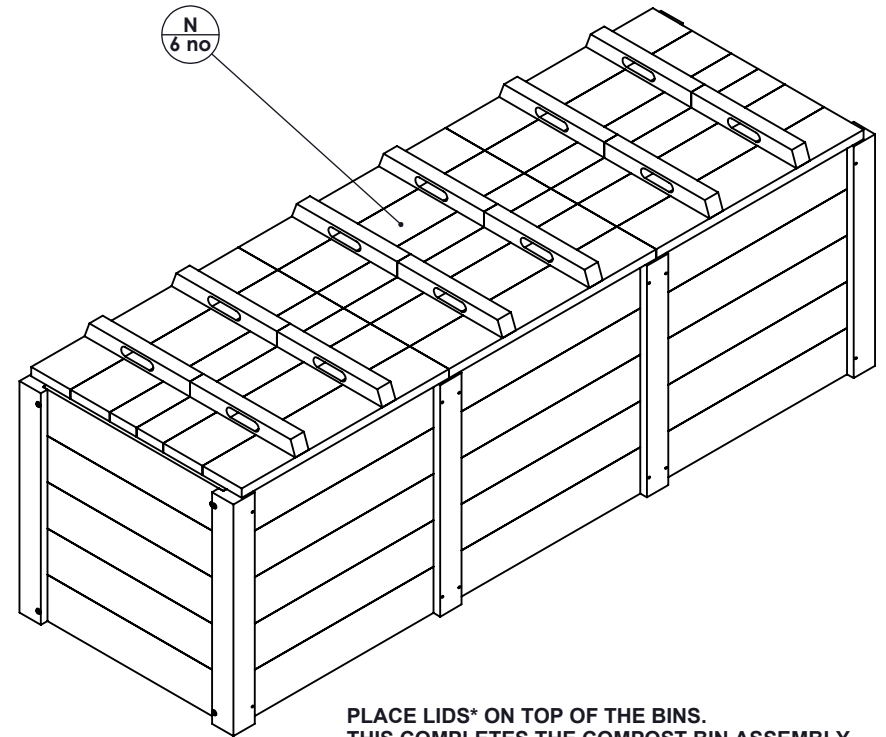
We will not accept any claims resulting from products that have been incorrectly assembled.

Employ safe lifting procedures when handling components.



POSITION SLATS AT THE TOP OF THE FRONT POSTS AND SLIDE DOWN BETWEEN THE CHANNELS.

SLATS CAN BE REMOVED TO ALLOW ACCESS TO THE COMPOST AS AND WHEN REQUIRED.



PLACE LIDS\* ON TOP OF THE BINS. THIS COMPLETES THE COMPOST BIN ASSEMBLY.

*\*LIDS ARE AN OPTION AT TIME OF ORDER.*

**HELP AND SUPPORT:-**

Please visit <https://neotimber.com/furniture/support/> if you need any assistance.

**COMPOST BIN - HEAVY DUTY TRIPLE 750**

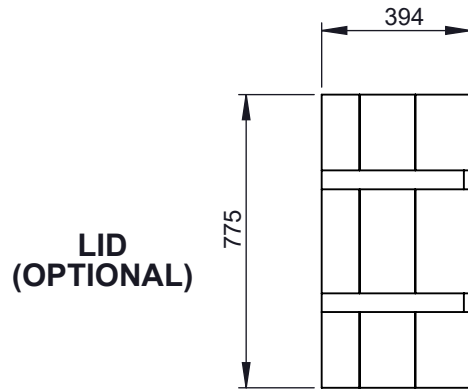
Assembly Guide - 2 of 2

**IMPORTANT:-**

Ensure that you are familiar with these assembly instructions prior to commencing assembly.

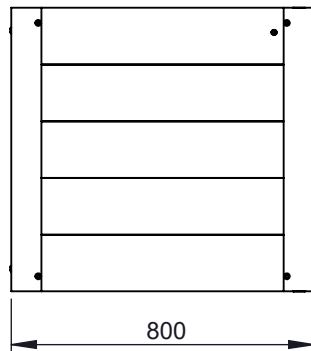
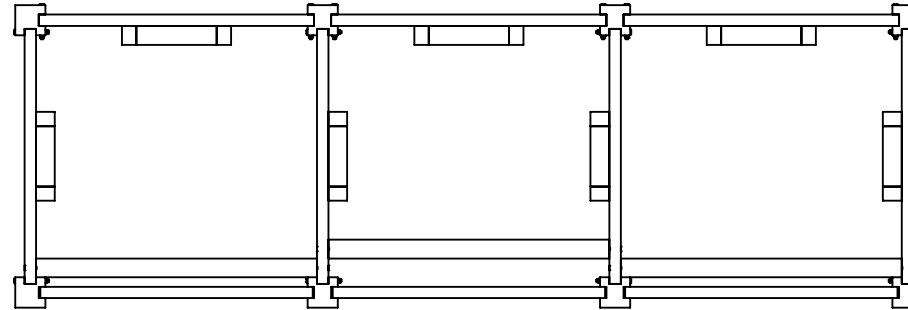
We will not accept any claims resulting from products that have been incorrectly assembled.

Employ safe lifting procedures when handling components.

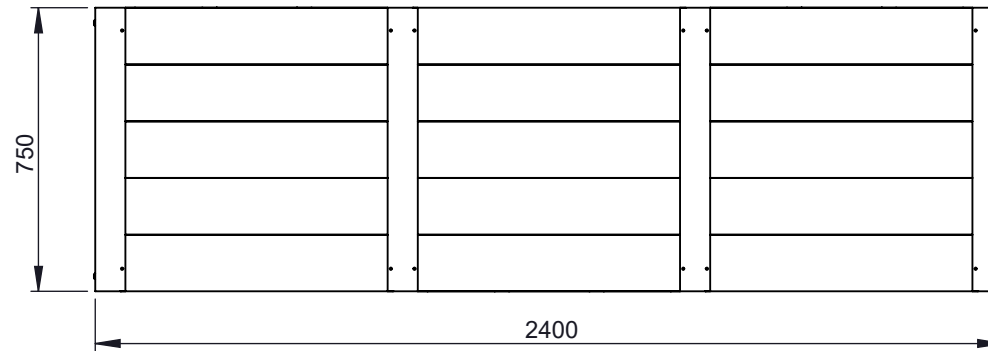


**LID  
(OPTIONAL)**

**PLAN ELEVATION**



**SIDE ELEVATION**



**FRONT ELEVATION**

**HELP AND SUPPORT:-**

Please visit <https://neotimber.com/furniture/support/> if you need any assistance.

**COMPOST BIN - HEAVY DUTY  
TRIPLE 750**

**Key Dimensions**