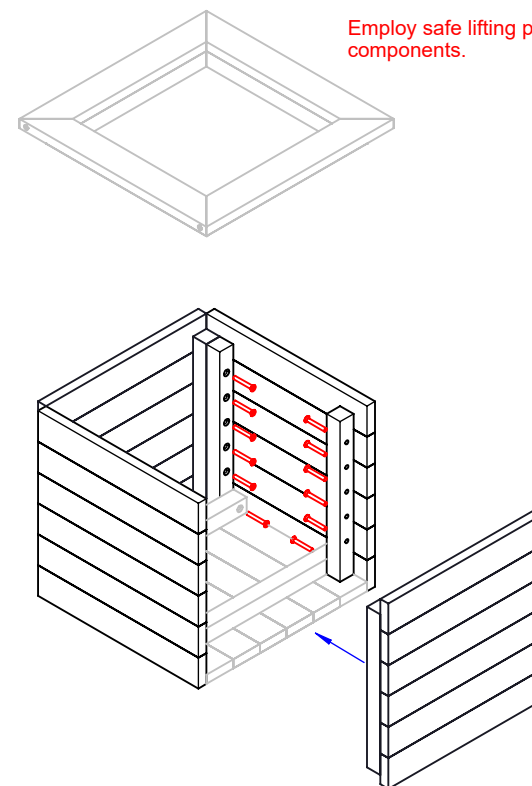
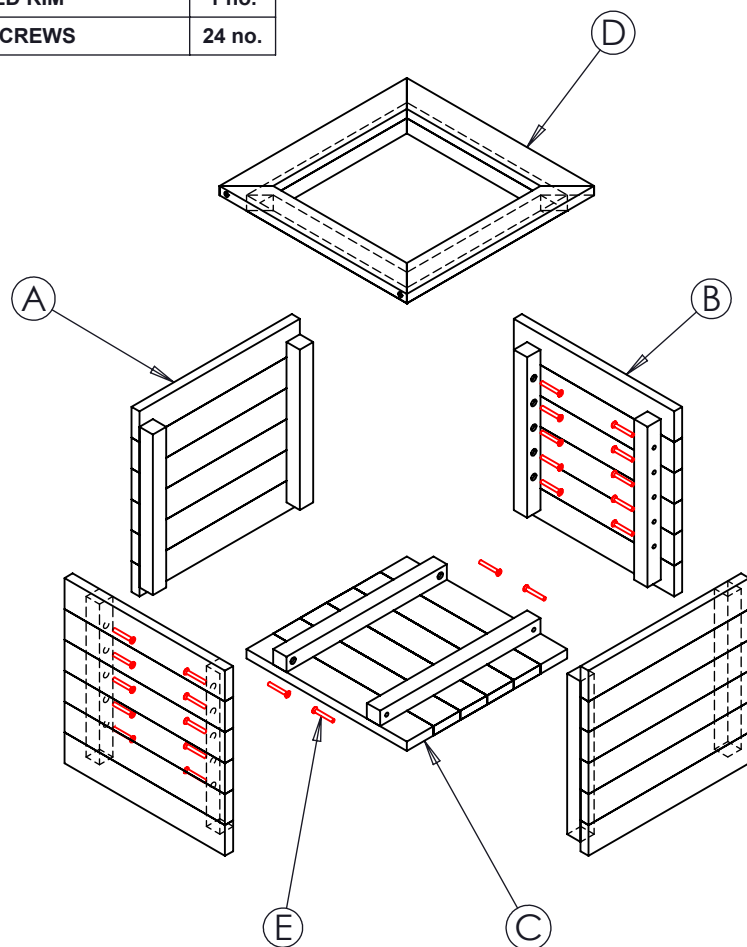


PARTS LIST - 1 PERSON ASSEMBLY:-

A	PRE-ASSEMBLED SIDE PANEL A	2 no.
B	PRE-ASSEMBLED SIDE PANEL B	2 no.
C	PRE-ASSEMBLED BASE	1 no.
D	PRE-ASSEMBLED RIM	1 no.
E	70mm BRASS SCREWS	24 no.

TOOLS:-

POWER DRILL WITH PHILIPS-HEAD BIT



ASSEMBLE SIDE (A) AND (B) ON BASE AS SHOWN

IMPORTANT:-

Ensure that you are familiar with these assembly instructions prior to commencing assembly.

We will not accept any claims resulting from products that have been incorrectly assembled.

Employ safe lifting procedures when handling components.

HELP AND SUPPORT:-

Please visit <https://neotimber.com/furniture/support/> if you need any assistance.

CUBE PLANTER

Assembly Guide - 1 of 2

NeoTimber[®]
PLASTIC FURNITURE

PARTS LIST - 1 PERSON ASSEMBLY:-

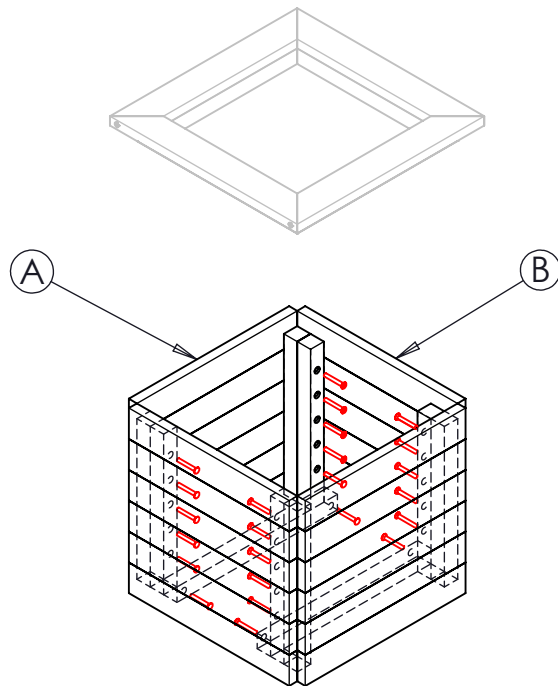
A	PRE-ASSEMBLED SIDE PANEL A	2 no.
B	PRE-ASSEMBLED SIDE PANEL B	2 no.
C	PRE-ASSEMBLED BASE	1 no.
D	PRE-ASSEMBLED RIM	1 no.
E	70mm BRASS SCREWS	24 no.

TOOLS:-**POWER DRILL WITH PHILIPS-HEAD BIT****IMPORTANT:-**

Ensure that you are familiar with these assembly instructions prior to commencing assembly.

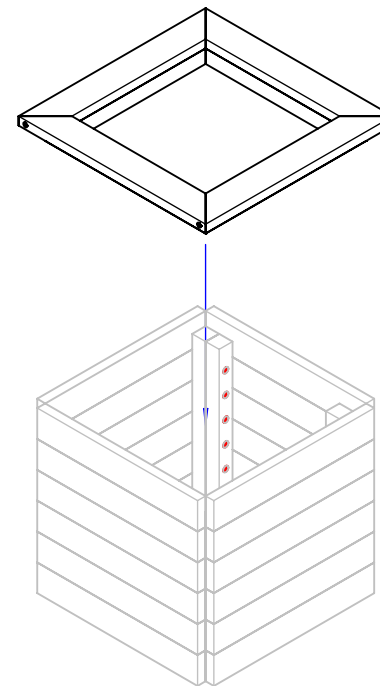
We will not accept any claims resulting from products that have been incorrectly assembled.

Employ safe lifting procedures when handling components.

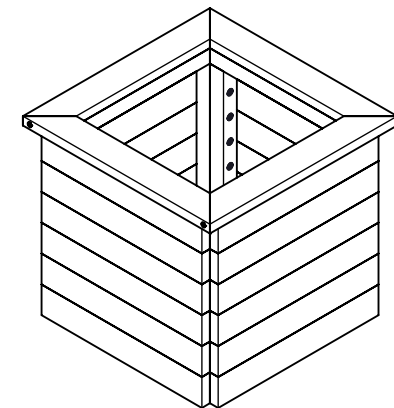


SCREW 20 x 70mm SCREWS THROUGH CORNER JOISTS IN SIDE (B) INTO CORNER JOISTS IN SIDE (A)

SCREW 4 x 70mm SCREWS THROUGH JOIST IN BASE PANEL INTO CORNER JOIST IN SIDE (B)



SLOT PRE-ASSEMBLED RIM ONTO PLANTER ASSEMBLY



ASSEMBLED PLANTER

HELP AND SUPPORT:-

Please visit <https://neotimber.com/furniture/support/> if you need any assistance.

CUBE PLANTER

Assembly Guide - 2 of 2

NeoTimber[®]
PLASTIC FURNITURE