

PARTS LIST - 2 PERSON ASSEMBLY:-

A	LEG SECTION	3 no.
B	SEAT SECTION	1 no.
C	70mm S/STEEL SCREWS	12 no.

TOOLS:-

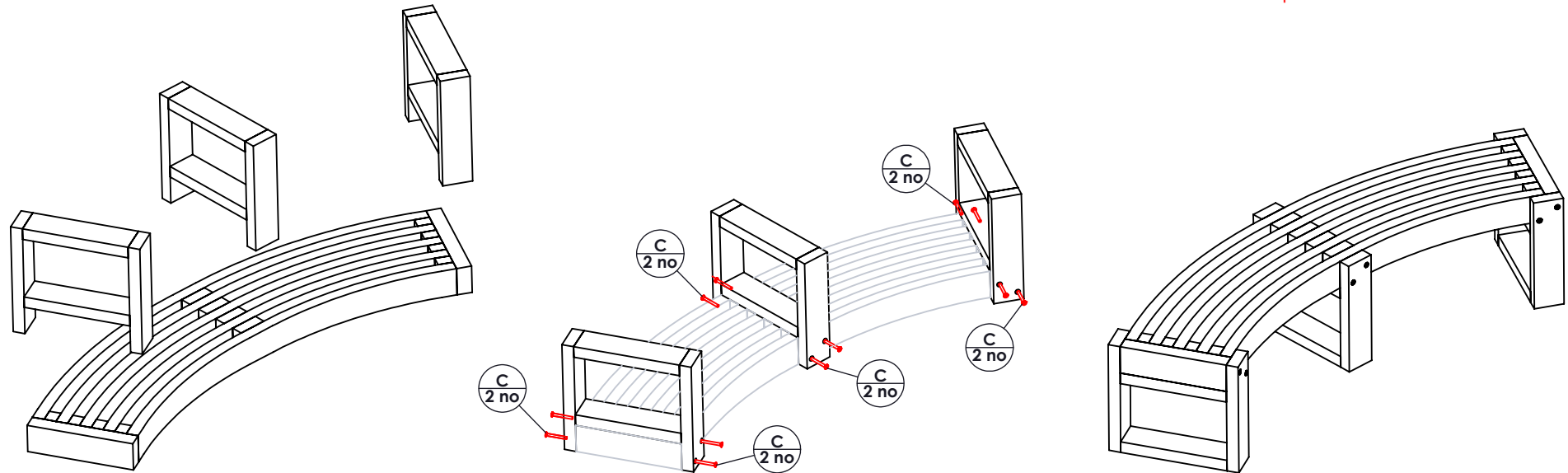
POWER DRILL WITH PHILIPS-HEAD BIT
MEASURING TAPE & STRAIGHT EDGE

IMPORTANT:-

Ensure that you are familiar with these assembly instructions prior to commencing assembly.

We will not accept any claims resulting from products that have been incorrectly assembled.

Employ safe lifting procedures when handling components.



LAY SEAT SECTION ON A FLAT SURFACE 'TOP' DOWN

PLACE LEG SECTIONS SQUARE AND FLUSH WITH BOTH LEFT AND RIGHT HAND SIDES OF SEAT SECTION. FIX EACH LEG SECTION WITH 4 x 70mm S/STEEL SCREWS

LINE UP CENTRE LEG WITH CENTRE TIES OF SEAT SECTION, ENSURE IT IS FLUSH AND SQUARE. FIX WITH 4 x 70mm S/STEEL SCREWS

THIS COMPLETES THE BENCH ASSEMBLY

NOTE:-

All NeoTimber furniture needs to be assembled and positioned on even ground.

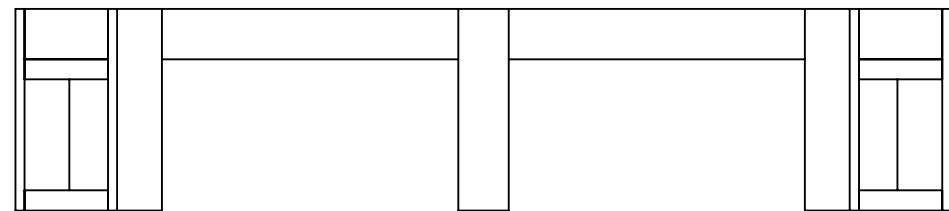
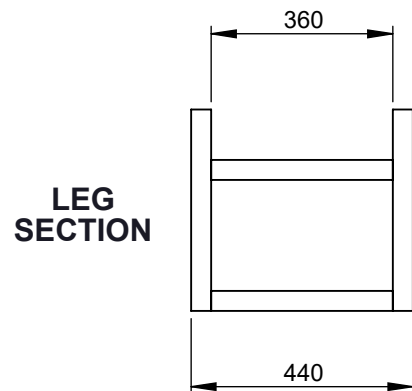
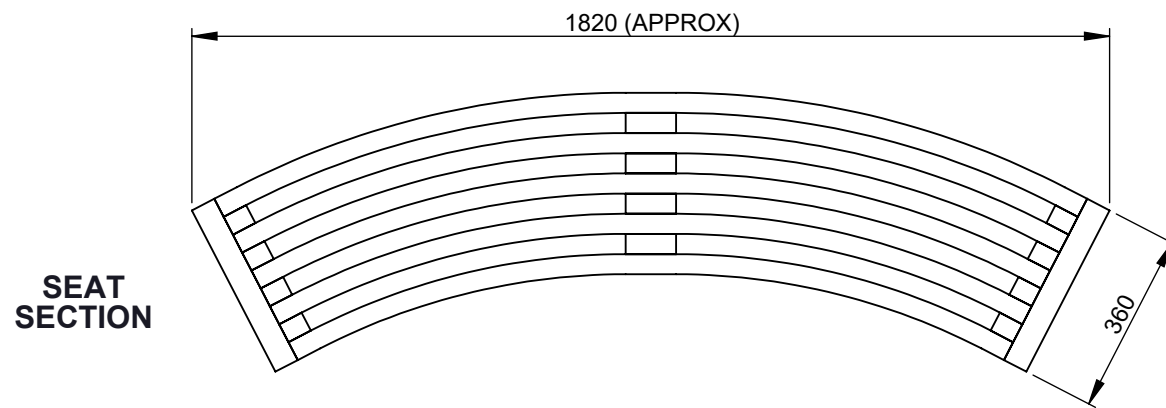
HELP AND SUPPORT:-

Please visit <https://neotimber.com/furniture/support/> if you need any assistance.

71 FJ98 'EDGE BENCH

Assembly Guide

NeoTimber[®]
 PLASTIC FURNITURE



FRONT ELEVATION

IMPORTANT:-

Ensure that you are familiar with these assembly instructions prior to commencing assembly.

We will not accept any claims resulting from products that have been incorrectly assembled.

Employ safe lifting procedures when handling components.

NOTE:-

All NeoTimber furniture needs to be assembled and positioned on even ground.

HELP AND SUPPORT:-

Please visit <https://neotimber.com/furniture/support/> if you need any assistance.

71 FJ98 'EDGE BENCH
Key Dimensions