

PARTS LIST - 2 PERSON ASSEMBLY:-		
A	PRE-ASSEMBLED TABLE TOP	1 no.
B	END A-FRAME	2 no.
C	PRE-ASSEMBLED SEAT	2 no.
D	70mm BRASS SCREWS	24 no.
E	70mm S/STEEL SCREWS	16 no.

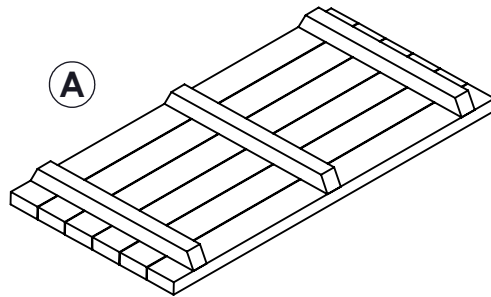
TOOLS:-	
POWER DRILL WITH PHILIPS-HEAD BIT	
MEASURING TAPE & STRAIGHT EDGE	

IMPORTANT:-

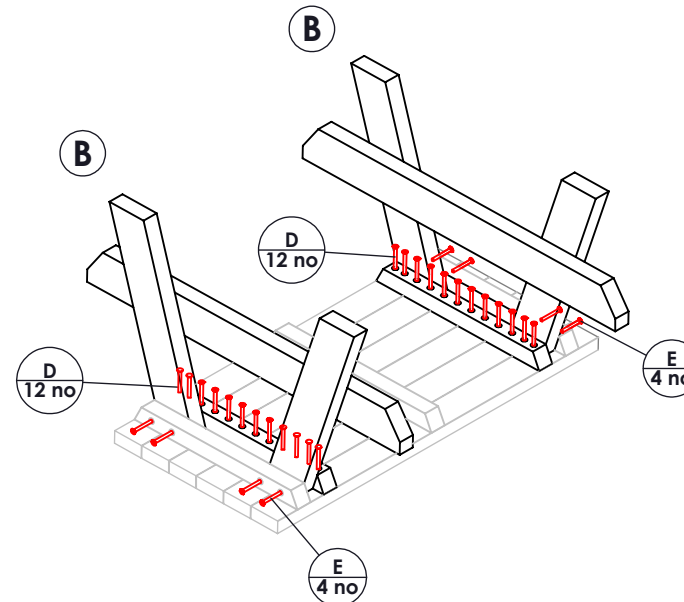
Ensure that you are familiar with these assembly instructions prior to commencing assembly.

We will not accept any claims resulting from products that have been incorrectly assembled.

Employ safe lifting procedures when handling components.



BEGIN ASSEMBLY WITH TABLE TOP TURNED UPSIDE DOWN



FIX A-FRAMES TO TABLE TOP USING 70mm SCREWS THROUGH PRE-DRILLED HOLES IN FIXING BARS

BEFORE FULLY TIGHTENING ALL SCREWS CHECK THAT THE PICNIC TABLE IS SQUARE BY MEASURING ACROSS THE DIAGONALS

NOTE:-

All NeoTimber® furniture needs to be assembled and positioned on even ground.

HELP AND SUPPORT:-

Please visit <https://neotimber.com/furniture/support/> if you need any assistance.

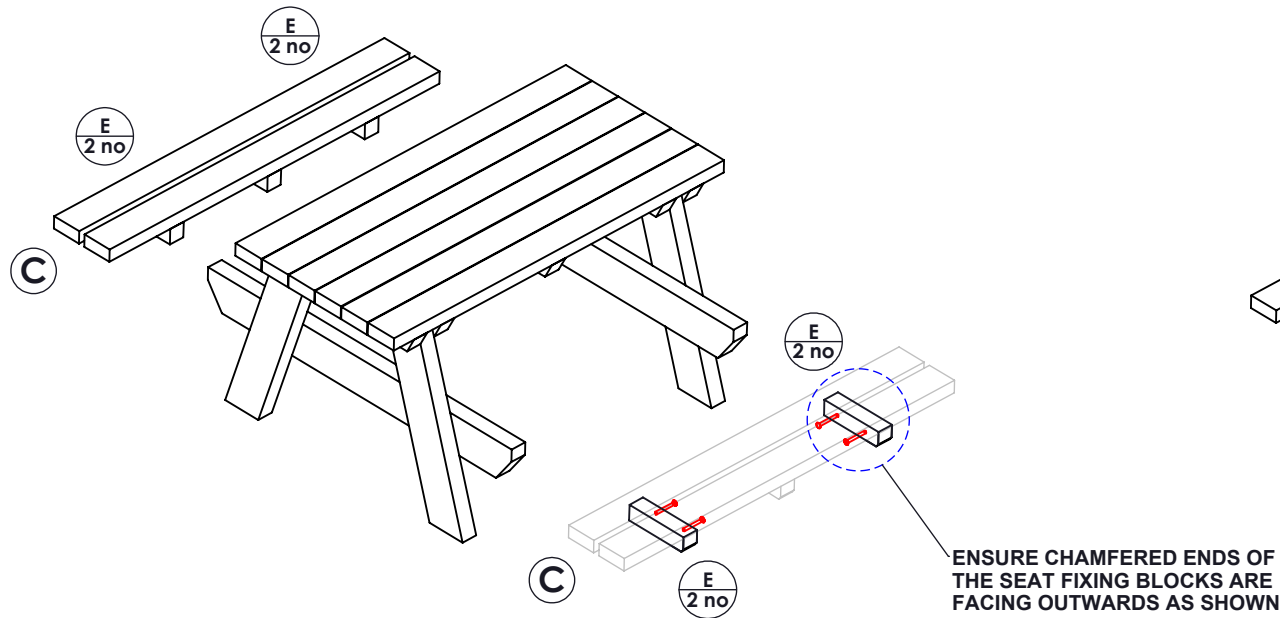
TOOLS:-
POWER DRILL WITH PHILIPS-HEAD BIT
MEASURING TAPE & STRAIGHT EDGE

IMPORTANT:-

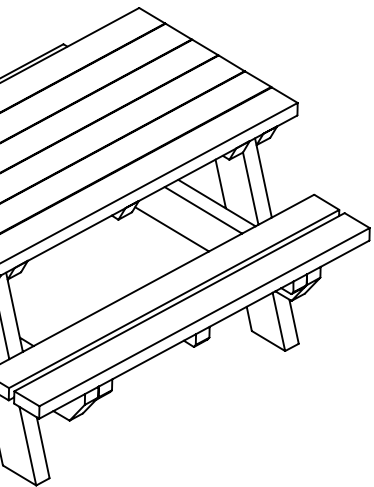
Ensure that you are familiar with these assembly instructions prior to commencing assembly.

We will not accept any claims resulting from products that have been incorrectly assembled.

Employ safe lifting procedures when handling components.



TURN PICNIC TABLE OVER ONTO FEET
 & FIX PRE-ASSEMBLED SEATS USING 70mm
 SCREWS THROUGH PRE-DRILLED HOES
 IN SEAT FIXING BLOCKS



BEFORE FULLY TIGHTENING ALL SCREWS
 CHECK THAT THE SEATS ARE SQUARE

NOTE:-

All NeoTimber® furniture needs to be assembled and positioned on even ground.

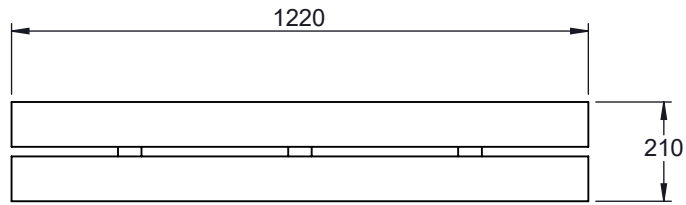
HELP AND SUPPORT:-

Please visit <https://neotimber.com/furniture/support/> if you need any assistance.

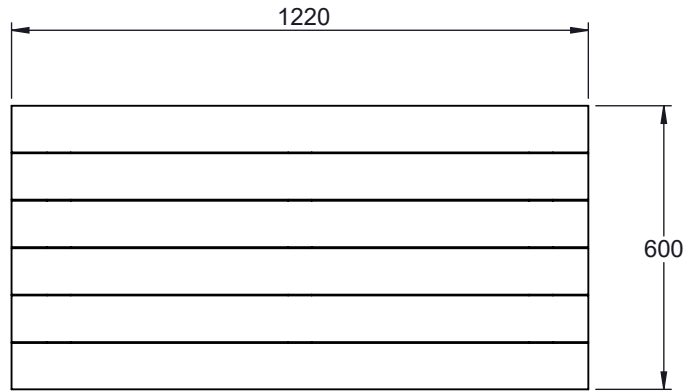
**JUNIOR PICNIC TABLE:
 Assembly Guide - 2 of 2.**



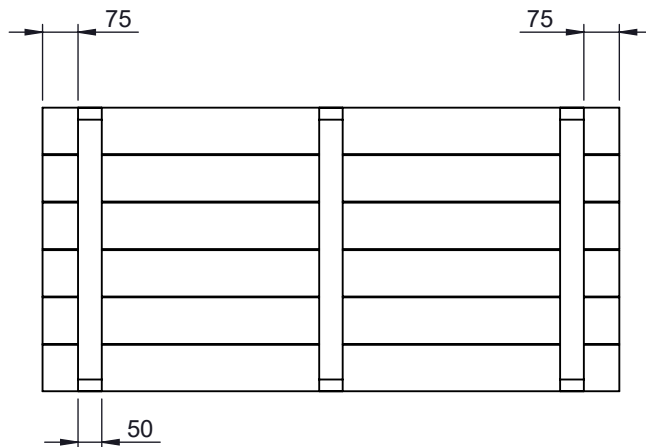
SEAT



TOP



U/SIDE

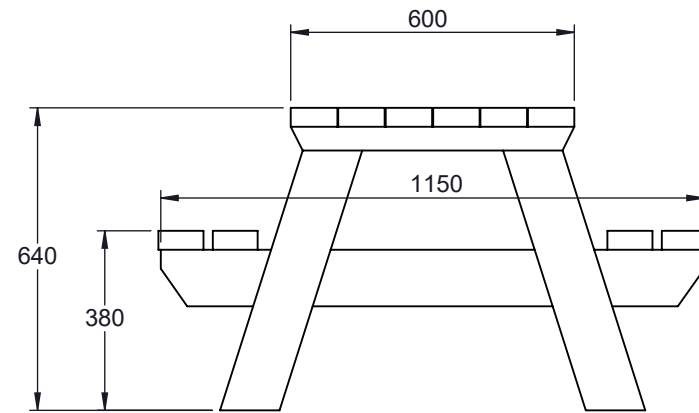


IMPORTANT:-

Ensure that you are familiar with these assembly instructions prior to commencing assembly.

We will not accept any claims resulting from products that have been incorrectly assembled.

Employ safe lifting procedures when handling components.



TYPICAL ELEVATION

NOTE:-

All plastic furniture needs to be assembled and positioned on even ground.

HELP AND SUPPORT:-

Please visit <https://neotimber.com/furniture/support/> if you need any assistance.

**JUNIOR PICNIC TABLE:
Key Dimensions.**