

PARTS LIST - 2 PERSON ASSEMBLY:-		
A	BACKLESS LEG FRAMES	2 no.
B	3 SLAT SEAT SEMI-ASSEMBLED	1 no.
C	70mm S/STEEL SCREWS	4 no.
D	90mm S/STEEL SCREWS	8 no.

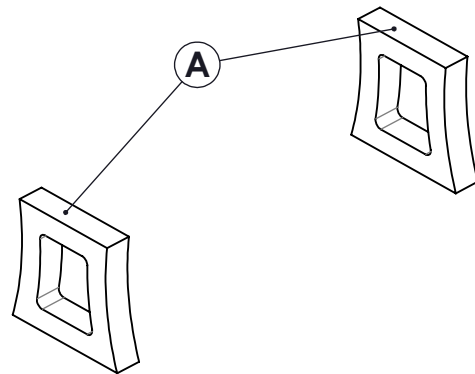
TOOLS:-	
POWER DRILL WITH PHILIPS-HEAD BIT	
MEASURING TAPE & STRAIGHT EDGE	

**IMPORTANT:-**

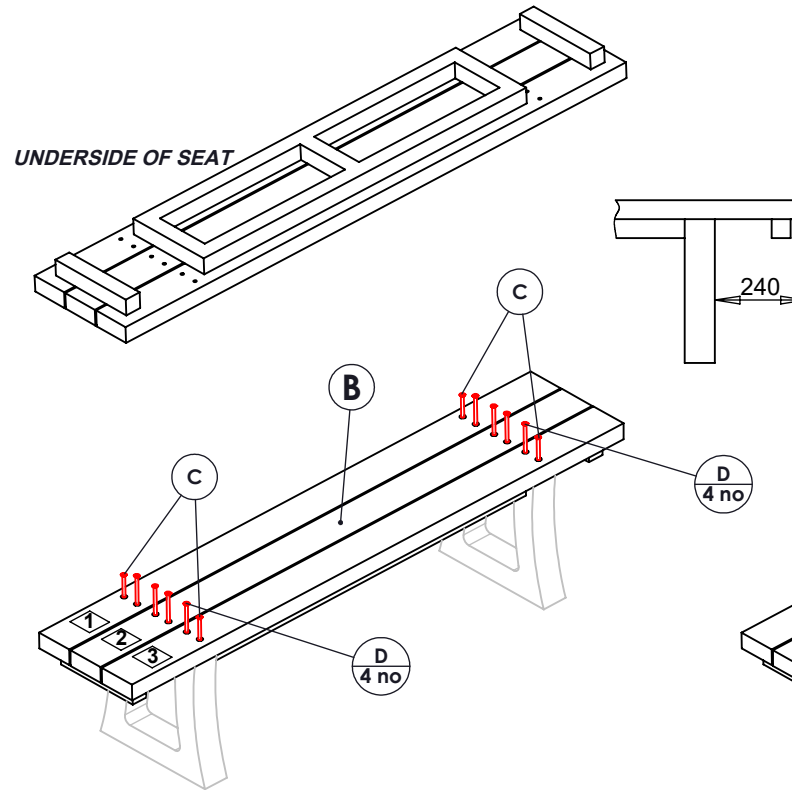
Ensure that you are familiar with these assembly instructions prior to commencing assembly.

We will not accept any claims resulting from products that have been incorrectly assembled.

Employ safe lifting procedures when handling components.

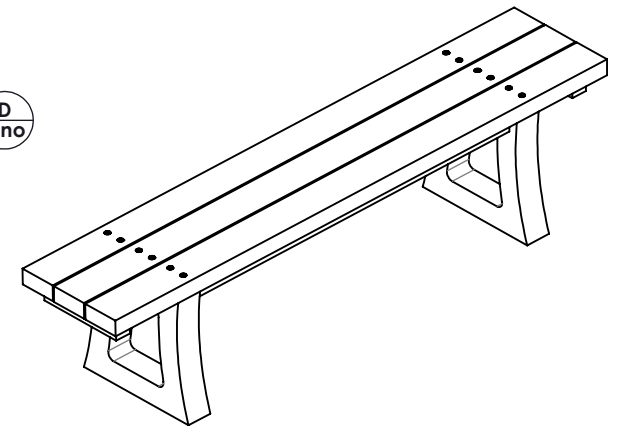


POSITION THE 2 MOULDED BACKLESS LEG FRAMES ON A FLAT LEVEL SURFACE



ALL SEAT SLAT LABELS SHOULD FACE UPWARD AND BE ON THE LEFT-HAND SIDE WHEN ASSEMBLED

POSITION THE FINISHED SEAT SECTION ONTO THE LEG FRAMES, LEG FRAMES SHOULD BUTT AGAINST SUB FRAME, APPLY A 10mm OVERHANG AT FRONT OF SEAT. ENSURE THE PRE-DRILLED SLAT HOLES LINE UP WITH THE CENTRE OF THE LEG. FIX WITH 2 x 70mm S/STEEL SCREWS ON OUTSIDE FIXING HOLES ON BOTH SIDES OF SEAT SLATS. THE REMAINDER OF THE HOLES ARE TO BE FIXED WITH 8 x 90mm S/STEEL SCREWS



THIS COMPLETES THE BENCH ASSEMBLY

**NOTE:-**

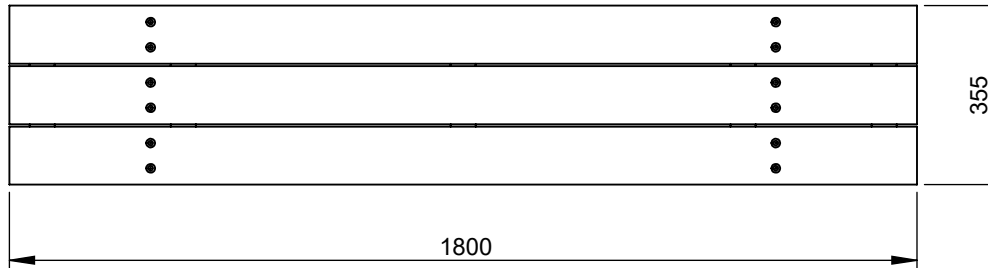
All NeoTimber+ furniture needs to be assembled and positioned on even ground.

**HELP AND SUPPORT:-**

Please visit <https://neotimber.com/furniture/support/> if you need any assistance.

**MOULDED BENCH BACKLESS:  
Assembly Guide**

**SEAT  
(3 SLAT)**



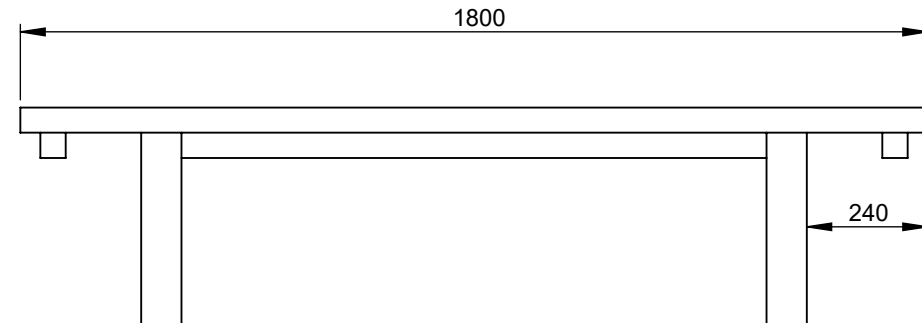
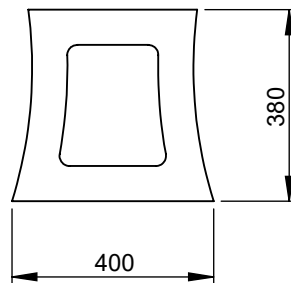
**IMPORTANT:-**

Ensure that you are familiar with these assembly instructions prior to commencing assembly.

We will not accept any claims resulting from products that have been incorrectly assembled.

Employ safe lifting procedures when handling components.

**LEG FRAME**



**NOTE:-**

All NeoTimber+ furniture needs to be assembled and positioned on even ground.

**HELP AND SUPPORT:-**

Please visit <https://neotimber.com/furniture/support/> if you need any assistance.

**MOULDED BENCH  
BACKLESS:**  
Key Dimensions