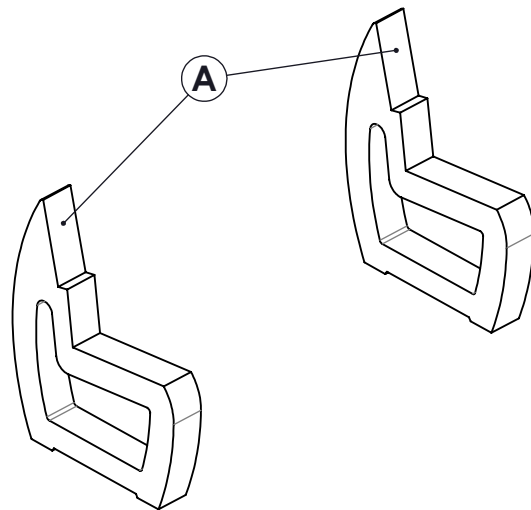


PARTS LIST - 2 PERSON ASSEMBLY:-

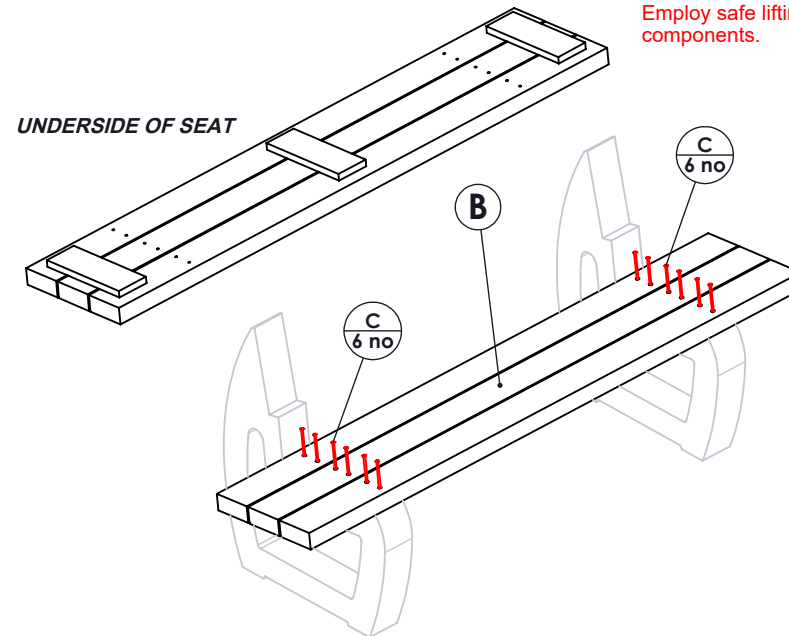
A	MOULDED LEG FRAMES	2 no.
B	3 SLAT SEAT SEMI-ASSEMBLED	1 no.
C	80mm S/STEEL SCREWS	20 no.
D	2 SLAT BACKREST SEMI-ASSEMBLED	1 no.

CC

POWER DRILL WITH PHILIPS-HEAD BIT
MEASURING TAPE & STRAIGHT EDGE



POSITION THE 2 MOULDED LEG FRAMES
ON A FLAT AND LEVEL SURFACE



POSITION THE FINISHED SEAT SECTION ONTO THE LEG
FRAMES WITH THE OFFSET HOLES AT THE FRONT.
APPLY A 10mm OVERHANG AT FRONT OF SEAT, THEN
ENSURE THE PRE-DRILLED HOLES LINE UP WITH THE
CENTRE OF THE LEG FRAMES. FIX WITH 12 x 80mm
S/STEEL SCREWS

IMPORTANT:-

Ensure that you are familiar with these assembly instructions prior to commencing assembly.

We will not accept any claims resulting from products that have been incorrectly assembled.

Employ safe lifting procedures when handling components.

NOTE:-

All NeoTimber® furniture needs to be assembled and positioned on even ground.

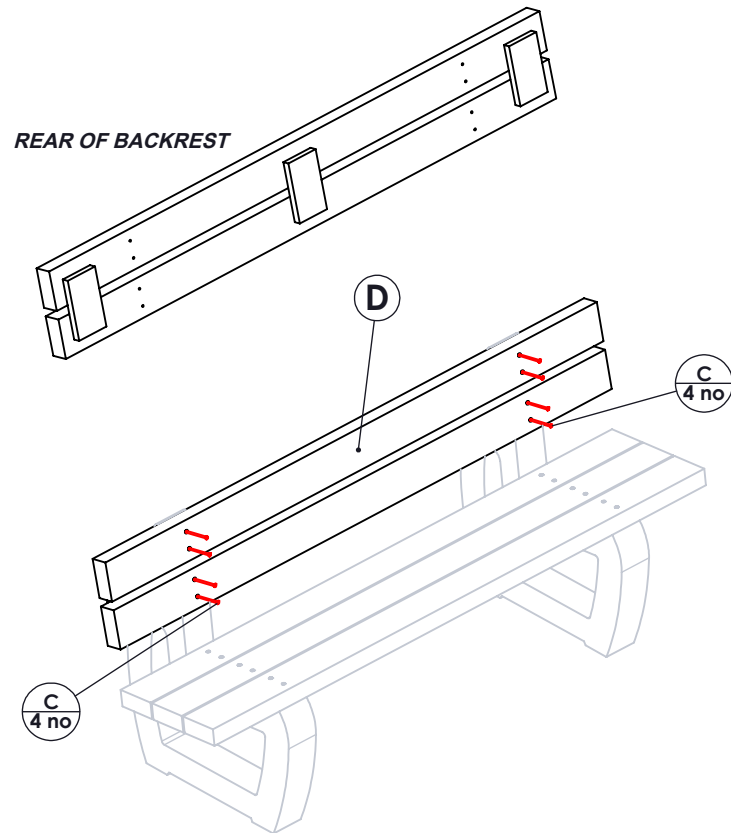
HELP AND SUPPORT:-

Please visit <https://neotimber.com/furniture/support/> if you need any assistance.

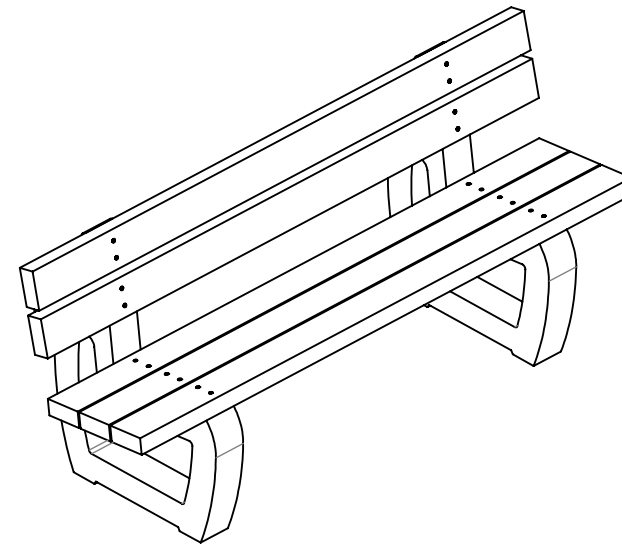
MOULDED BENCH WITH BACKREST:

Assembly Guide - sheet 1 of 2

NeoTimber®
PLASTIC FURNITURE



POSITION THE BACKREST ASSEMBLY ONTO LEG FRAMES WITH THE OFFSET HOLES AT THE TOP. ENSURE THE PRE-DRILLED HOLES LINE UP WITH THE CENTRE OF THE LEG FRAMES, MATCHING THE SEAT ASSEMBLY. FIX WITH 8 x 80mm S/STEEL SCREWS



THIS COMPLETES THE BENCH ASSEMBLY

IMPORTANT:-

Ensure that you are familiar with these assembly instructions prior to commencing assembly.

We will not accept any claims resulting from products that have been incorrectly assembled.

Employ safe lifting procedures when handling components.

NOTE:-

All NeoTimber® furniture needs to be assembled and positioned on even ground.

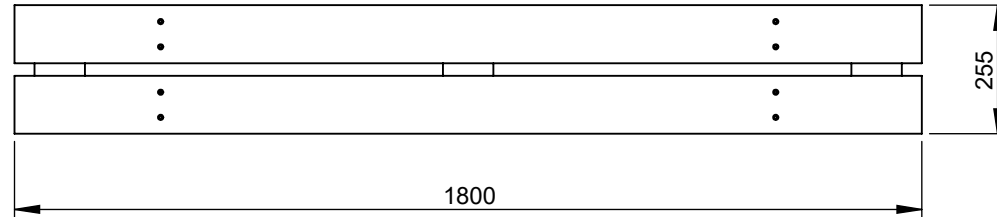
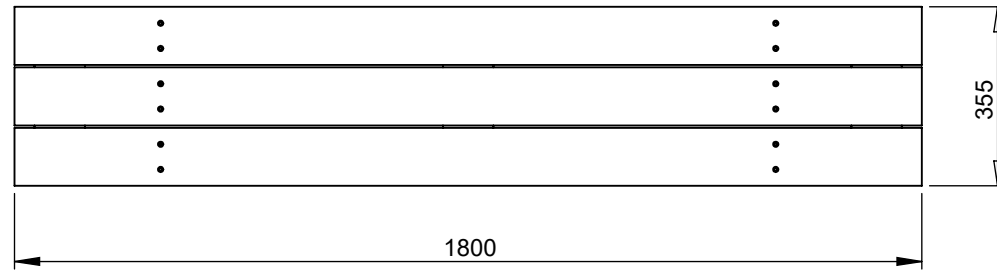
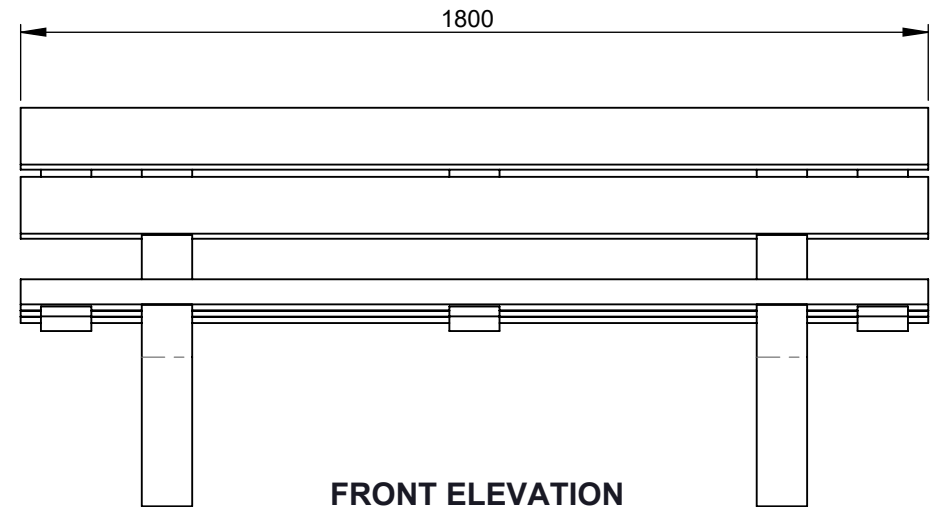
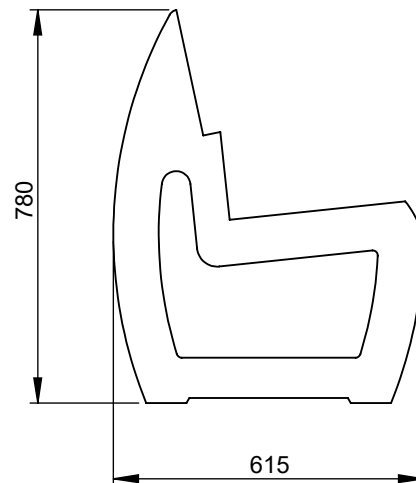
HELP AND SUPPORT:-

Please visit <https://neotimber.com/furniture/support/> if you need any assistance.

MOULDED BENCH WITH BACKREST:

Assembly Guide - sheet 2 of 2

NeoTimber®
PLASTIC FURNITURE

**BACK
(2 SLAT)****SEAT
(3 SLAT)****LEG FRAME****FRONT ELEVATION****IMPORTANT:-**

Ensure that you are familiar with these assembly instructions prior to commencing assembly.

We will not accept any claims resulting from products that have been incorrectly assembled.

Employ safe lifting procedures when handling components.

NOTE:-

All NeoTimber furniture needs to be assembled and positioned on even ground.

HELP AND SUPPORT:-

Please visit <https://neotimber.com/furniture/support/> if you need any assistance.

**MOULDED BENCH
KICK BACK 9GH:**
Key Dimensions

NeoTimber®
PLASTIC FURNITURE