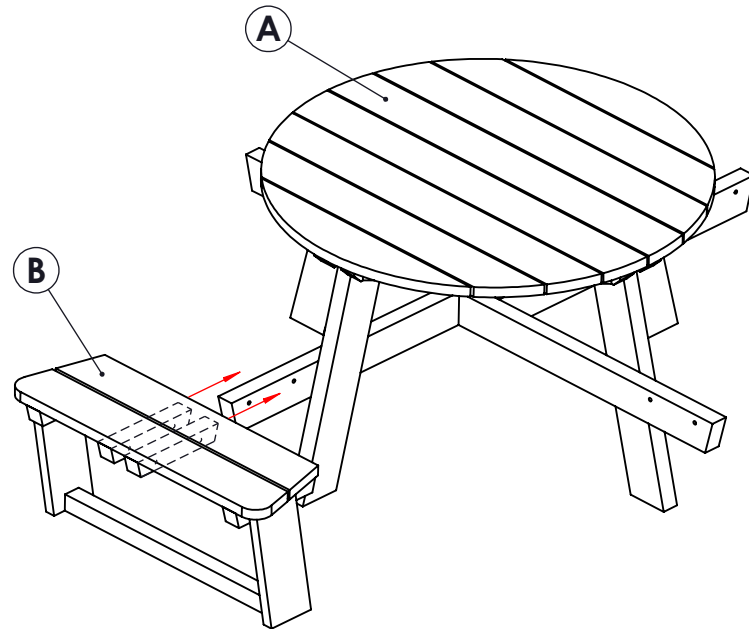


PARTS LIST - 2 PERSON ASSEMBLY:-

A	PRE-ASSEMBLED TABLE + FRAME	1 no.
B	PRE-ASSEMBLED SEAT	4 no.
C	M10 x 160mm BOLT	8 no.
D	WASHER	8 no.
E	M10 NUT	8 no.
F	CAP	8 no.

TOOLS:-

HAMMER
17mm SPANNER



POSITION TIES OF THE PRE-ASSEMBLED SEAT EITHER SIDE OF TABLE'S CROSS-FRAME.

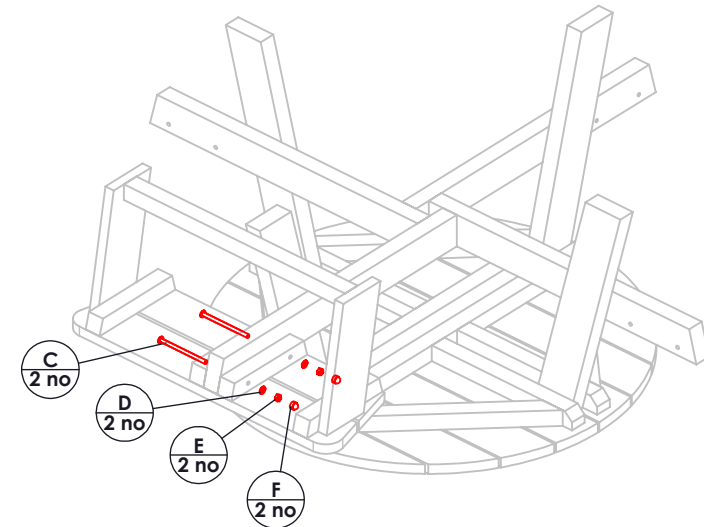


TABLE SHOWN UPSIDE DOWN FOR ILLUSTRATION PURPOSES ONLY.

USING A PROVIDED M10 x 160mm BOLT, FIX THE BOLT THROUGH PRE-DRILLED HOLES IN SEAT TIE AND TABLE FRAME BRACES, ADD WASHER AND NUT AND TIGHTEN UP, COVER NUT WITH BLACK CAP.

IMPORTANT:-

Ensure that you are familiar with these assembly instructions prior to commencing assembly.

We will not accept any claims resulting from products that have been incorrectly assembled.

Employ safe lifting procedures when handling components.

NOTE:-

All NeoTimber® furniture needs to be assembled and positioned on even ground.

HELP AND SUPPORT:-

Please visit <https://neotimber.com/furniture/support/> if you need any assistance.

ROUND PICNIC TABLE:
Assembly Guide - 1 of 2.

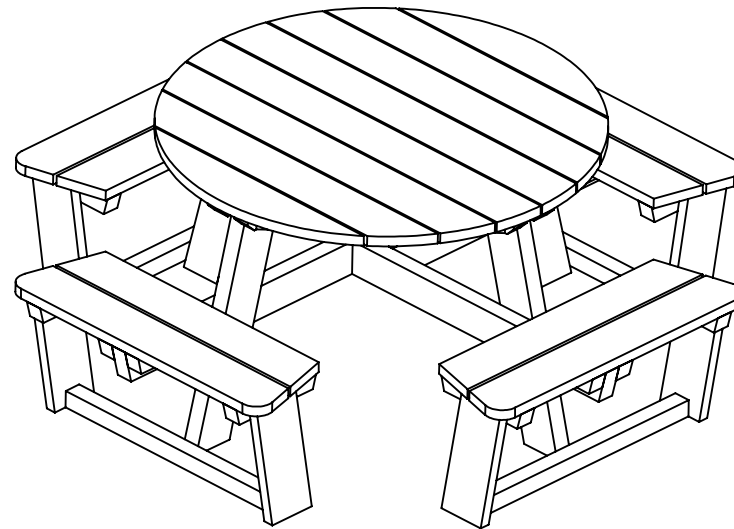
NeoTimber®
PLASTIC FURNITURE

TOOLS:-**HAMMER****17mm SPANNER****IMPORTANT:-**

Ensure that you are familiar with these assembly instructions prior to commencing assembly.

We will not accept any claims resulting from products that have been incorrectly assembled.

Employ safe lifting procedures when handling components.



SEAT ASSEMBLY SHOULD NOW BE REPEATED FOR THE REMAINING 3 SEATS, THIS SHOULD FINISH TABLE ASSEMBLY.

NOTE:-

All NeoTimber® furniture needs to be assembled and positioned on even ground.

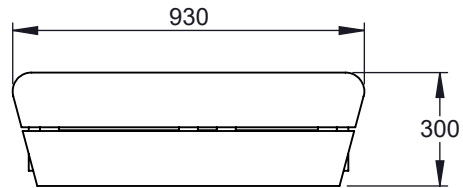
HELP AND SUPPORT:-

Please visit <https://neotimber.com/furniture/support/> if you need any assistance.

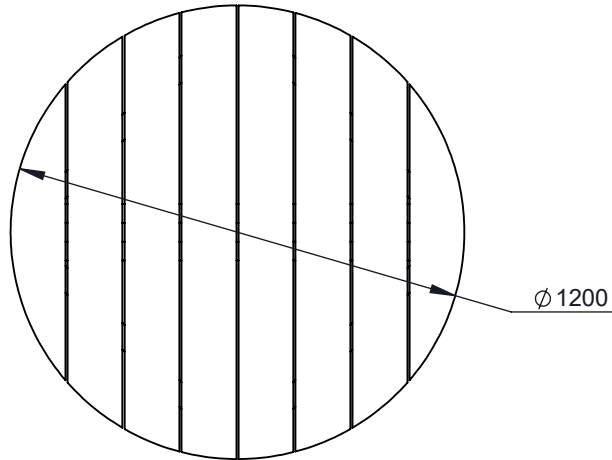
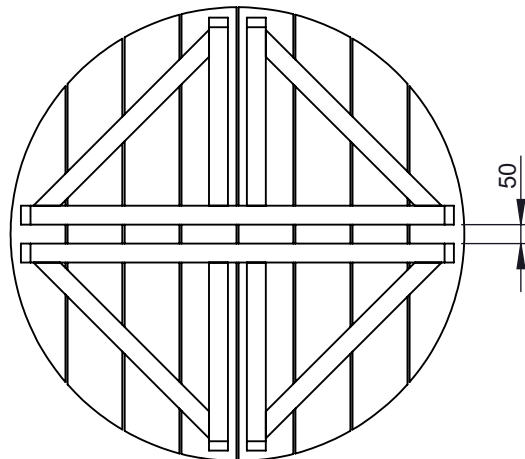
**ROUND PICNIC TABLE:
Assembly Guide - 2 of 2.**

NeoTimber®
PLASTIC FURNITURE

SEAT



TOP

U/SIDE
OF TOP**NOTE:-**

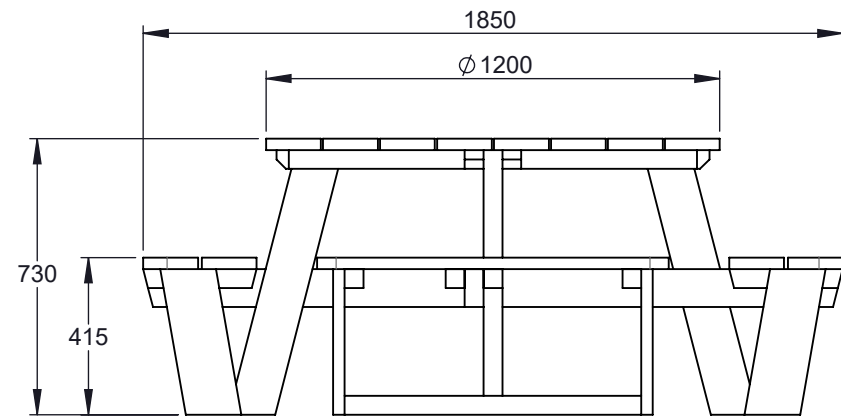
All plastic furniture needs to be assembled and positioned on even ground.

IMPORTANT:-

Ensure that you are familiar with these assembly instructions prior to commencing assembly.

We will not accept any claims resulting from products that have been incorrectly assembled.

Employ safe lifting procedures when handling components.

**TYPICAL ELEVATION****HELP AND SUPPORT:-**

Please visit <https://neotimber.com/furniture/support/> if you need any assistance.

**ROUND PICNIC TABLE:
Key Dimensions.**

NeoTimber®
PLASTIC FURNITURE