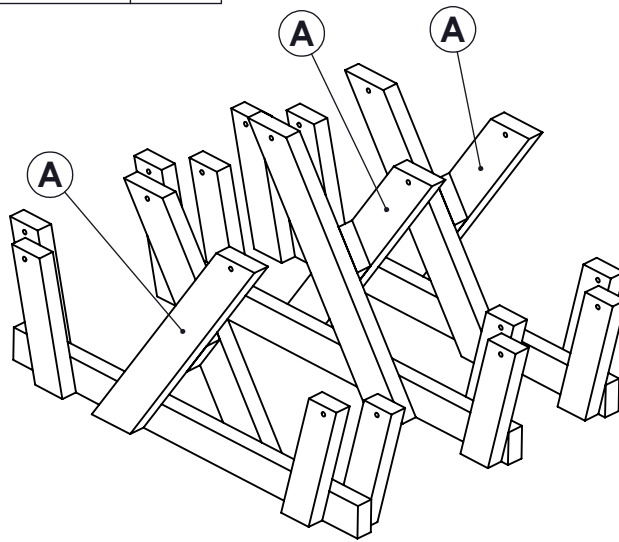


**PARTS LIST - 2 PERSON ASSEMBLY:-**

A	FRAME	3 no.
C	PRE-ASSEMBLED TABLE TOP	1 no.
D	PRE-ASSEMBLED SEAT	2 no.
F	M10 x 110mm BOLT	18 no.
G	WASHER	18 no.
H	NUT	18 no.
J	CAP	18 no.

<b>TOOLS:-</b>
POWER DRILL WITH PHILIPS-HEAD BIT
17mm SPANNER



BEGIN ASSEMBLY WITH THE 3 FRAMES

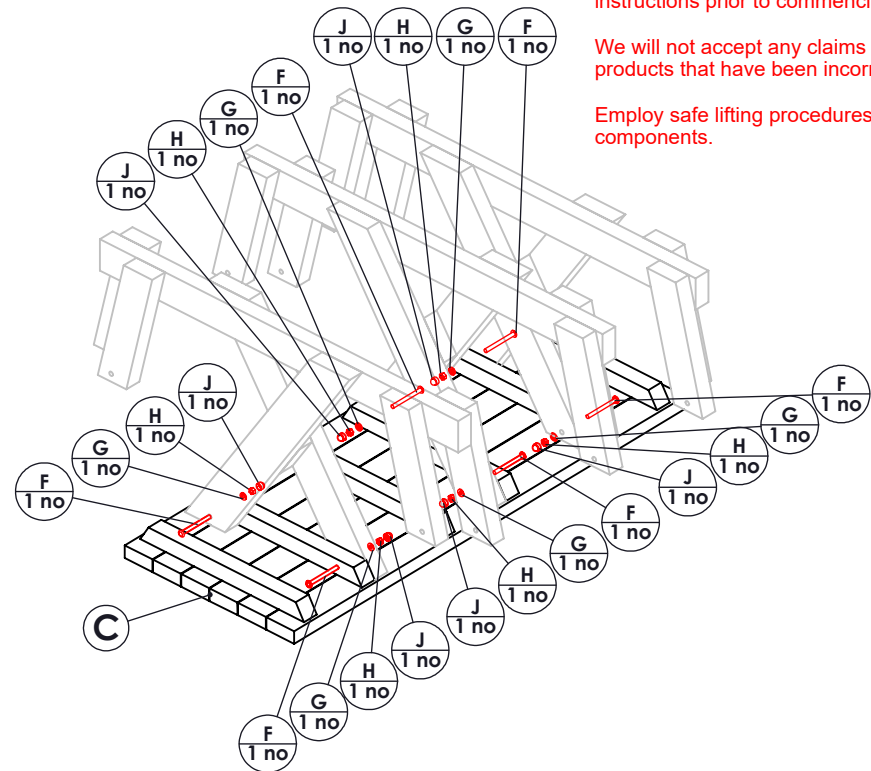


TABLE SHOWN UPSIDE DOWN FOR ILLUSTRATION PURPOSES ONLY

LOWER THE PRE-ASSEMBLED TABLE TOP ONTO THE FRAME. USING A PROVIDED M10 x 110mm BOLT, FIX THE BOLT THROUGH PRE-DRILLED HOLES IN THE FRAME AND TABLE TOP, ADD WASHER AND NUT AND TIGHTEN UP. COVER NUT WITH BLACK CAP

**IMPORTANT:-**

Ensure that you are familiar with these assembly instructions prior to commencing assembly.

We will not accept any claims resulting from products that have been incorrectly assembled.

Employ safe lifting procedures when handling components.

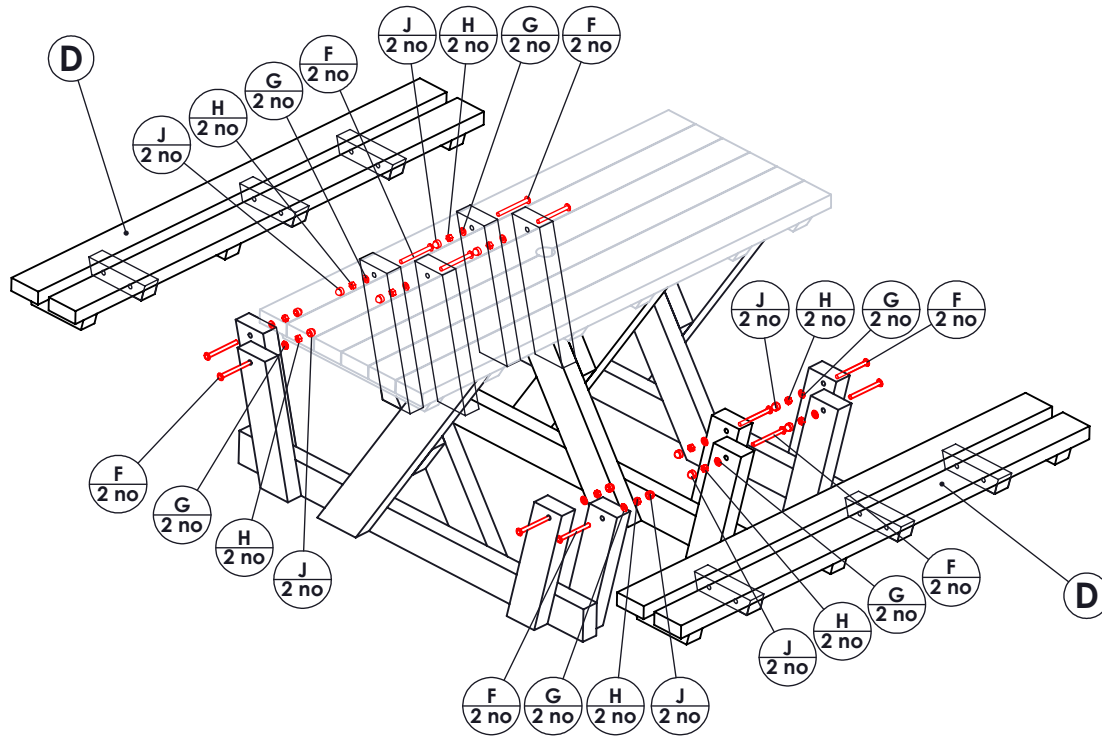
**NOTE:-**

All NeoTimber® furniture needs to be assembled and positioned on even ground.

**HELP AND SUPPORT:-**

Please visit <https://neotimber.com/furniture/support/> if you need any assistance.

**TOOLS:-**  
17mm SPANNER



LOWER THE PRE-ASSEMBLED SEAT ONTO THE FRAME AND ALIGN THE HOLES OF THE SEAT TIES WITH THE HOLES ON THE SEAT SUPPORTS

USE M10 x 110mm BOLTS TO SECURE EACH CORNER OF THE SEAT, ADD WASHER AND NUT AND TIGHTEN UP. COVER NUT WITH BLACK CAP TO FINISH

**NOTE:-**

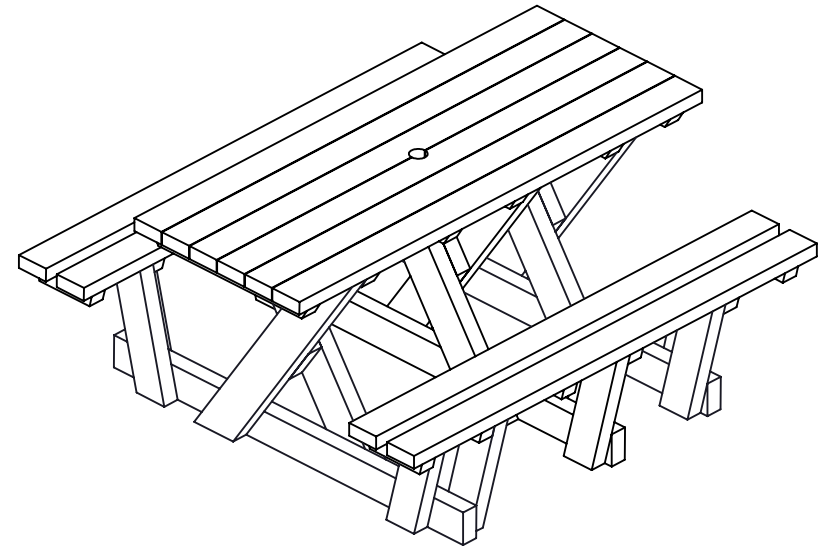
All NeoTimber® furniture needs to be assembled and positioned on even ground.

**IMPORTANT:-**

Ensure that you are familiar with these assembly instructions prior to commencing assembly.

We will not accept any claims resulting from products that have been incorrectly assembled.

Employ safe lifting procedures when handling components.



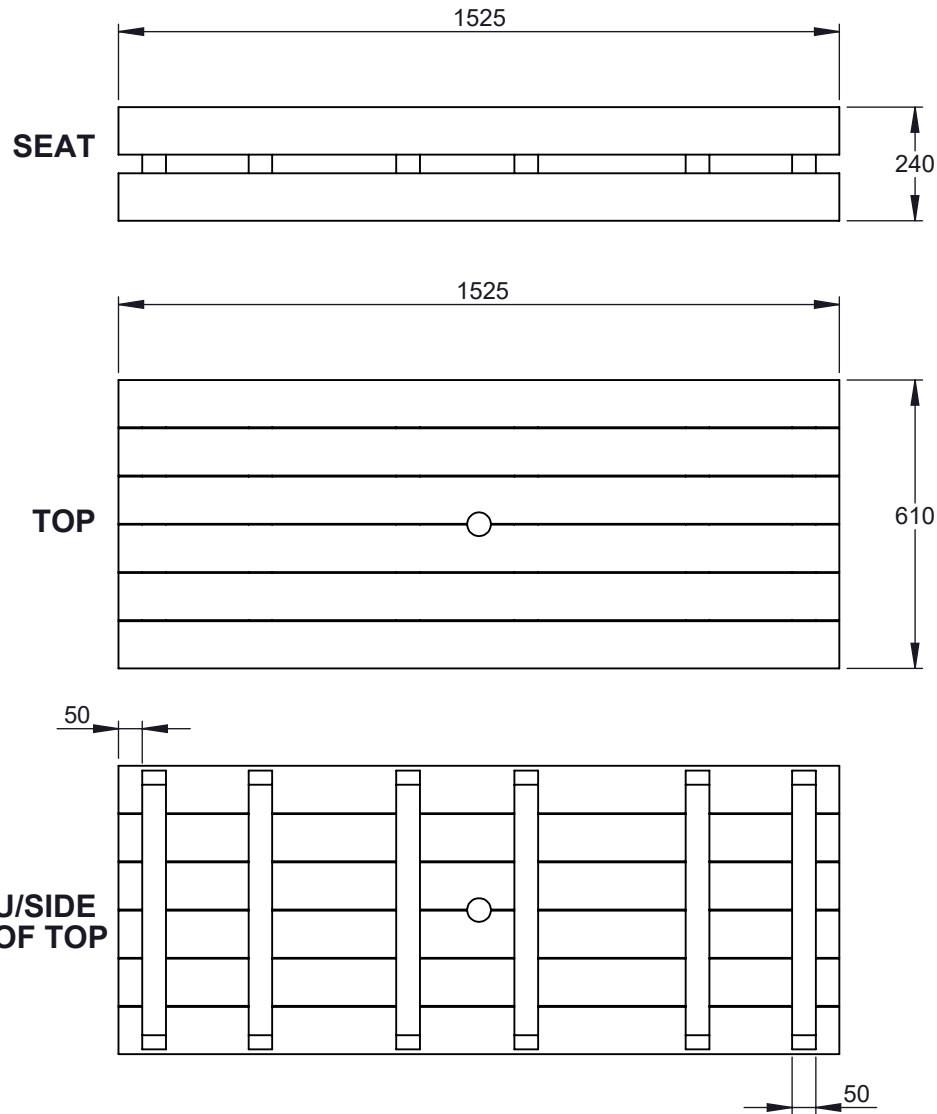
THIS COMPLETES THE TABLE ASSEMBLY

**HELP AND SUPPORT:-**

Please visit <https://neotimber.com/furniture/support/> if you need any assistance.

**WALKTHROUGH PICNIC TABLE:**  
Assembly Guide - sheet 2 of 2.



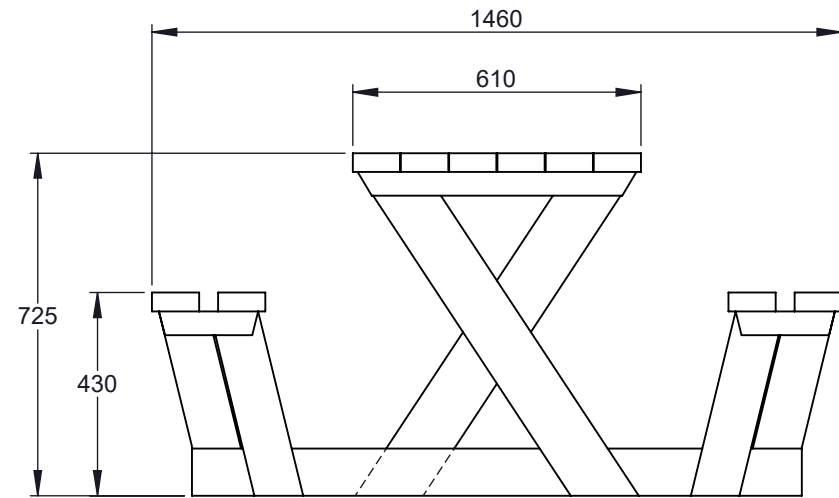


**IMPORTANT:-**

Ensure that you are familiar with these assembly instructions prior to commencing assembly.

We will not accept any claims resulting from products that have been incorrectly assembled.

Employ safe lifting procedures when handling components.



**TYPICAL ELEVATION**

**NOTE:-**

All NeoTimber+ furniture needs to be assembled and positioned on even ground.

**HELP AND SUPPORT:-**

Please visit <https://neotimber.com/furniture/support/> if you need any assistance.

**WALKTHROUGH PICNIC TABLE:  
Key Dimensions.**