

PARTS LIST - 2 PERSON ASSEMBLY:-		
A	PRE-ASSEMBLED TABLE TOP	1 no.
B	END A-FRAME	1 no.
C	MIDDLE A-FRAME	1 no.
C1	CUT END A-FRAME	1 no.
D	PRE-ASSEMBLED SEAT	1 no.
D1	PRE-ASSEMBLED SEAT (600)	1 no.
E	70mm BRASS SCREWS	48 no.
F	70mm S/STEEL SCREWS	24 no.

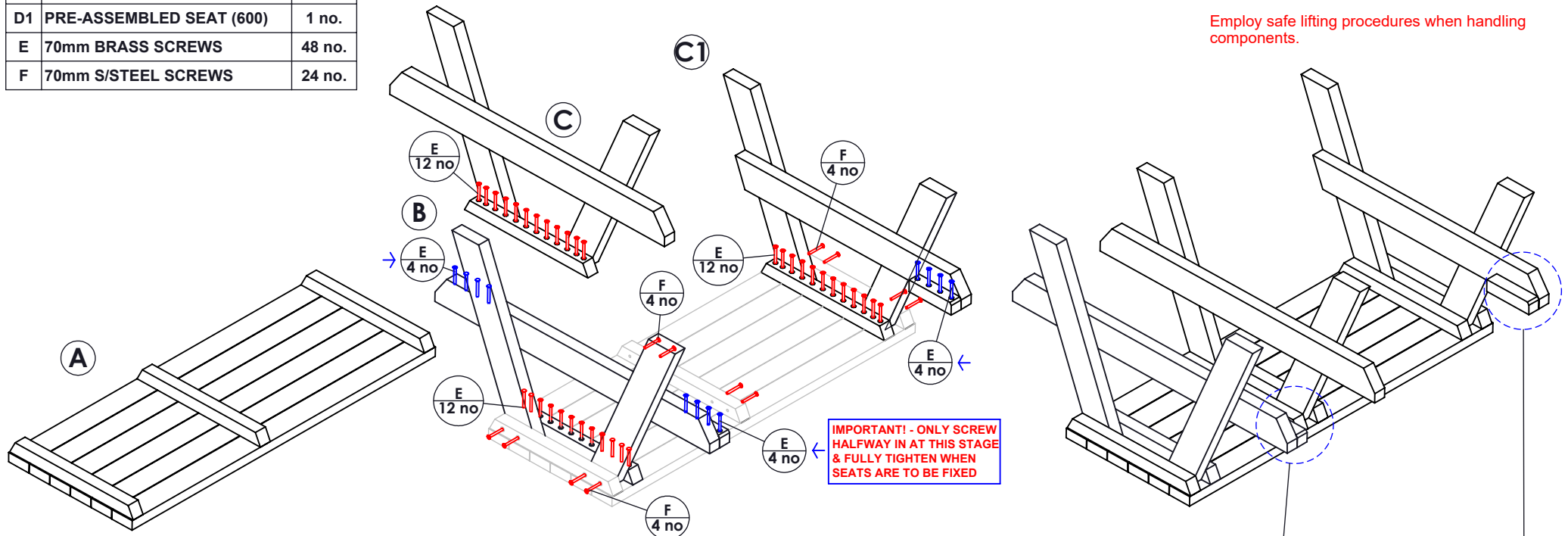
TOOLS:-	
POWER DRILL WITH PHILIPS-HEAD BIT	
MEASURING TAPE & STRAIGHT EDGE	

IMPORTANT:-

Ensure that you are familiar with these assembly instructions prior to commencing assembly.

We will not accept any claims resulting from products that have been incorrectly assembled.

Employ safe lifting procedures when handling components.



BEGIN ASSEMBLY WITH TABLE TOP TURNED UPSIDE DOWN

FIX A-FRAMES TO TABLE TOP USING 70mm SCREWS THROUGH PRE-DRILLED HOLES IN FIXING BARS

BEFORE FULLY TIGHTENING ALL SCREWS CHECK THAT THE PICNIC TABLE IS SQUARE BY MEASURING ACROSS THE DIAGONALS

ENSURE END A-FRAMES HAVE THE SEAT FIXING BLOCKS FACING INWARDS AS SHOWN

NOTE:-

All NeoTimber® furniture needs to be assembled and positioned on even ground.

HELP AND SUPPORT:-

Please visit <https://neotimber.com/furniture/support/> if you need any assistance.

**W/CHAIR PICNIC TABLE:
Assembly Guide - 1 of 2.**

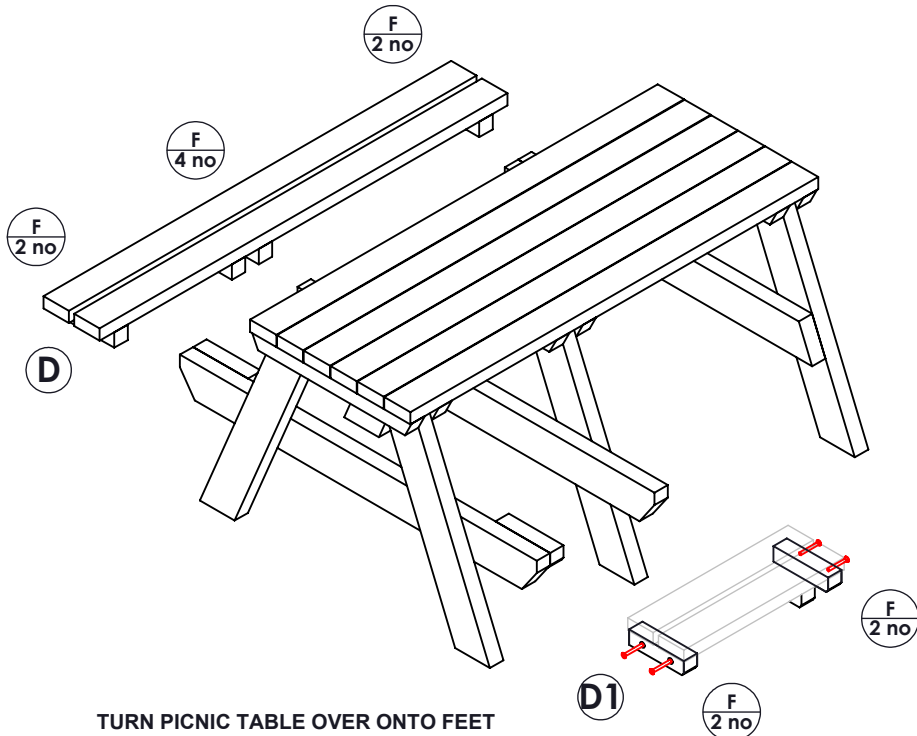
TOOLS:-
POWER DRILL WITH PHILIPS-HEAD BIT
MEASURING TAPE & STRAIGHT EDGE

IMPORTANT:-

Ensure that you are familiar with these assembly instructions prior to commencing assembly.

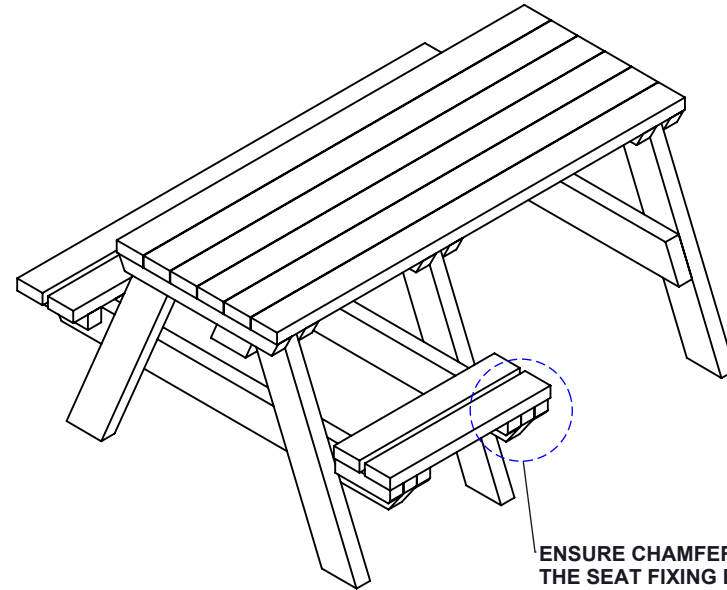
We will not accept any claims resulting from products that have been incorrectly assembled.

Employ safe lifting procedures when handling components.



TURN PICNIC TABLE OVER ONTO FEET & FIX PRE-ASSEMBLED SEATS USING 70mm SCREWS THROUGH PRE-DRILLED HOES IN SEAT FIXING BLOCKS

IMPORTANT - ENSURE THAT THE 20 no BRASS SEAT FIXING SCREWS ARE NOW FULLY TIGHTENED - THESE ARE SHOWN ON PAGE 1 OF 2



ENSURE CHAMFERED ENDS OF THE SEAT FIXING BLOCKS ARE FACING OUTWARDS AS SHOWN

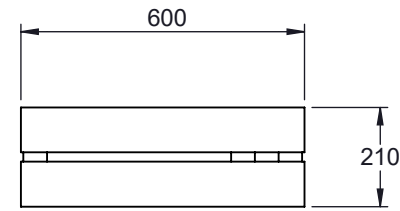
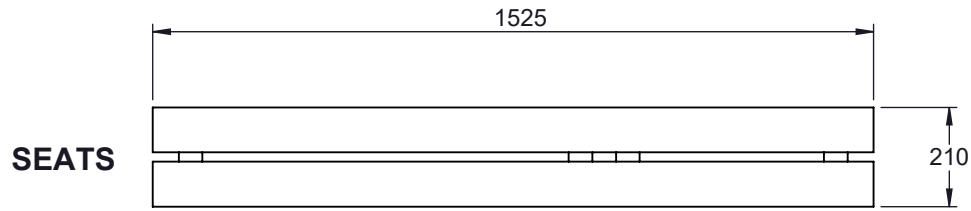
BEFORE FULLY TIGHTENING ALL SCREWS CHECK THAT THE SEATS ARE SQUARE

NOTE:-

All NeoTimber® furniture needs to be assembled and positioned on even ground.

HELP AND SUPPORT:-

Please visit <https://neotimber.com/furniture/support/> if you need any assistance.

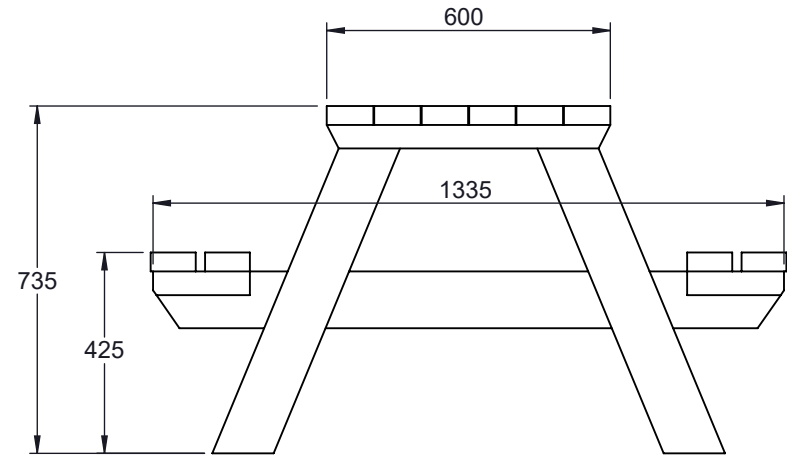
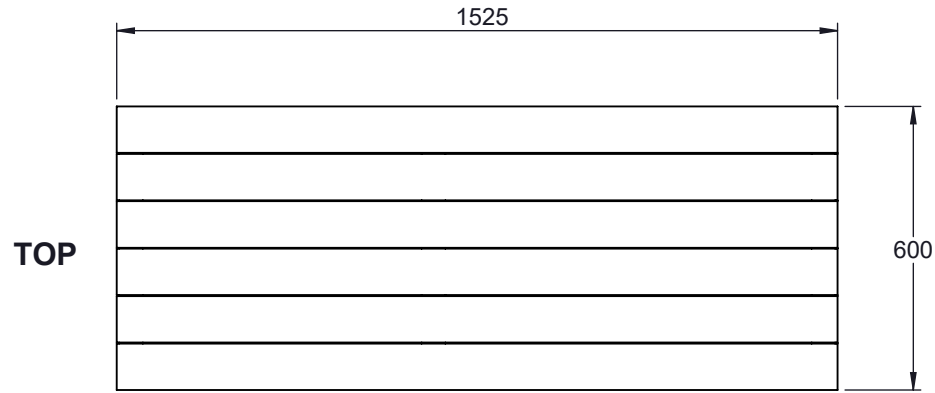


IMPORTANT:-

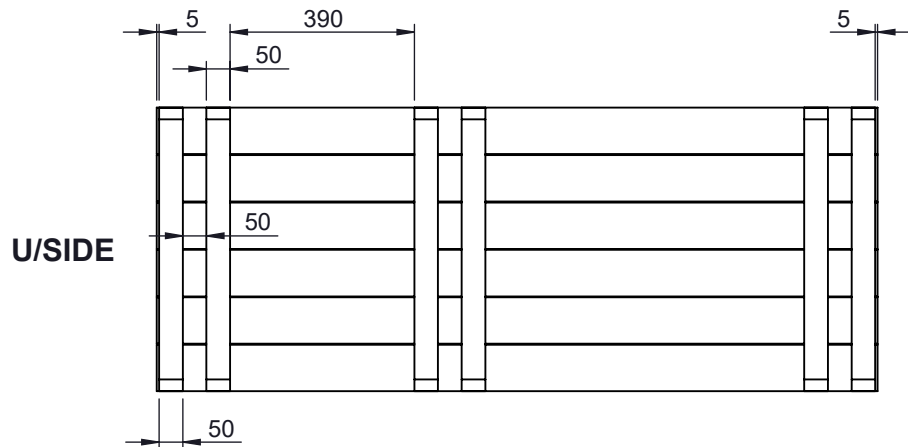
Ensure that you are familiar with these assembly instructions prior to commencing assembly.

We will not accept any claims resulting from products that have been incorrectly assembled.

Employ safe lifting procedures when handling components.



TYPICAL ELEVATION



NOTE:-

All NeoTimber furniture needs to be assembled and positioned on even ground.

HELP AND SUPPORT:-

Please visit <https://neotimber.com/furniture/support/> if you need any assistance.

**W/CHAIR PICNIC TABLE:
Key Dimensions.**

